

# CATALOGUE NOW ON-LINE

ver 48 13/07/2019

For the latest version of this catalogue go to our website at [www.thewoodworks.com.au](http://www.thewoodworks.com.au)  
Click on the Home Page link to the Catalogue PDF's

## SCOPE OF THIS CATALOGUE

We sell in excess of 8,000 products. This catalogue lists a smaller selection of items which have proven popular with schools over many years. For other items please contact us or search our website at [www.thewoodworks.com.au](http://www.thewoodworks.com.au).

## ACCOUNTS

We offer immediate terms to any Australian school. No account opening procedures are needed. All we ask is that orders are on official school letterhead and have an Order Number.

## FIXED WRITTEN QUOTES

To speed up your admin time we can supply you with a written quote for any of our items.

## HEGNER MACHINES - SALES & SERVICE

We are very proud of the service record of our Hegner machines many of which are still performing as new after 25 years in Australian schools. We can use a metropolitan or national courier service to ship machines back to us for evaluation if you wish. We will provide a repair quote and advise the current replacement cost of the machine to assist with your repair decision.

We offer service in-situ in schools in most of suburban Sydney.

For schools outside this region we can arrange a courier to pick up your machine and ship it to us.

Alternatively we sell Hegner spare parts for schools who wish to carry out their own servicing.

If you need machines evaluated for repair or wish to arrange service use the hotline below.

**FOR SERVICE CALL (02) 9979 7797**

### INDEX

Index	1	Pepper Mill Making	17
Scroll Saws & Accessories	2	Toy Wheel Cutters	17
Scroll Saw Blades	4	Clock Making	17
Decorative Jointing	6	Picture Framing	19
Vacuums	7	Consumables & Finishes	19
Plastics Strip Heaters	7	Putty Bricks	20
Sanding Machines	7	Shellac	20
Bench Plane Spares	8	Tung Oil	21
Sharpening	8	Beeswax	21
Pyrography	9	Abrasive Backing Pads & Discs	21
Pinewood and Plywood	10	Disc Cement	21
Project Hardware	10	Carving	22
Threaded Inserts	10	Hand Tools	23
Hinges, Screws & Pins	11	Saws & Layout Tools	24
Escutcheon Pins	11	Chisels	25
Box & Cabinet Hardware	15	Planes	27
Pen Making	17	Plug Cutters	30
		Wood Drills	31
		Repackaging	33

**For complete data sheets and more information on all products in this catalogue search using the ITEM CODE in the SEARCH box on the HOME PAGE at [www.thewoodworks.com.au](http://www.thewoodworks.com.au)**

## SCROLL SAWING - HEGNER - GERMANY

For a detailed discussion about Hegner scroll saws see our dedicated companion site at [www.scrollsaws.com.au](http://www.scrollsaws.com.au)

The Multicut 1 is our best selling quality scroll saw with an excellent service record and with thousands in use in Australian schools. A quality scroll saw is undoubtedly the safest powered wood saw available for use in schools. Statistically the very small risk profile of scroll saws suggests eye injury from broken blade parts and being hurt by machines falling off benches exceed the minimal risk of being cut by the blade. Hegner scroll saws can be bolted to the bench and the patented blade retaining system greatly minimises risk from blade fragments. Despite this we still suggest eye protection be worn at all times.

The Multicut 1 is available in either single or variable speed models. Blade guards and work hold down arms are available accessories.

Variable speed is factory fitted and must be specified at order time. Note that Hegner scroll saws use pinless blades of which there are numerous patterns and sizes to enable working with the widest variety of materials.

Other scroll saw make use of pinned blades which are more expensive, available in only 3 or 4 patterns and may be limited to wood.

The patented Hegner blade clamp arrangement contains broken blades and minimises risks from pieces of blade being thrown about.

These machines are fully supported with spare parts and maintenance across Australia. We routinely service machines more than 25 years old which are still in excellent functioning condition.

**Hegner Multicut 1**



**Hegner Multicut 1 FOOT SWITCH**



**Hegner Multicut 2S**



- ✓ Saw, Scroll, Multicut 1, single speed
- ✓ Saw, Scroll, Multicut 1, vari speed - HAND DIAL
- ✓ Saw, Scroll, Multicut 1, vari speed - FOOT CONTROL
- ✓ Saw, Scroll, Multicut-2S, single speed
- ✓ Saw, Scroll, Multicut-2S, vari speed - HAND DIAL
- ✓ Saw, Scroll, Multicut-2S, vari speed - FOOT CONTROL
- ✓ Saw, Scroll, Multicut-SE, vari speed

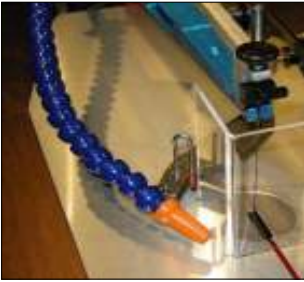
ITEM	RRP	Ex GST
<b>M0239</b>	<b>1,119.00</b>	<b>1,017.27</b>
<b>M0240</b>	<b>1,569.00</b>	<b>1,426.36</b>
<b>M0240FS</b>	<b>1,992.00</b>	<b>1,810.91</b>
<b>M0241</b>	<b>1,789.00</b>	<b>1,626.36</b>
<b>M0242</b>	<b>2,244.00</b>	<b>2,040.00</b>
<b>M0242FS</b>	<b>2,850.00</b>	<b>2,590.91</b>
<b>M0243</b>	<b>2,695.00</b>	<b>2,450.00</b>

### POPULAR SPARES, ACCESSORIES & UPGRADES

- ✓ Assembly, Tension Rod with Quick Release function
- ✓ Assembly, Jointhose, for M1
- ✓ Assembly, Jointhose, for M2S / SE / Quick
- ✓ Bracket, Retaining, for Dust Trumpet
- ✓ Arm, Hold Down for Multicut 1 - WITHOUT GUARD
- ✓ Arm, Hold Down for Multicut 2S - WITHOUT GUARD
- ✓ Arm, Hold Down for Multicut 1 - WITH BLADE GUARD
- ✓ Arm, Hold Down for Multicut 2S - WITH BLADE GUARD
- ✓ Guard, Blade, for use with Multicut Hold Down Arm
- ✓ Part, Multicut 1, #023, Clamp, Blade
- ✓ Clamp, Quick Release, for Inside Sawing
- ✓ Key, Blade Fitting, for Hegner Blade Clamps
- ✓ Switch, Foot, for M1 / M2 / SE / Quick
- ✓ Lamp, Machine, for Multicut 1 (Screw cap lampholder)
- ✓ Bracket, for Work Lamp, for M1 C Frame
- ✓ Bracket, for Work Lamp, for M2S, SE & Quick C Frame

<b>S1001A</b>	<b>99.00</b>	<b>90.00</b>
<b>S6914</b>	<b>73.27</b>	<b>66.61</b>
<b>S6916</b>	<b>77.31</b>	<b>70.28</b>
<b>S6905A</b>	<b>22.50</b>	<b>20.45</b>
<b>A7050</b>	<b>121.00</b>	<b>110.00</b>
<b>A7051</b>	<b>121.00</b>	<b>110.00</b>
<b>A7060</b>	<b>132.95</b>	<b>120.86</b>
<b>A7061</b>	<b>132.95</b>	<b>120.86</b>
<b>A7040</b>	<b>34.95</b>	<b>31.77</b>
<b>S1014</b>	<b>19.95</b>	<b>18.14</b>
<b>S6845</b>	<b>52.73</b>	<b>47.94</b>
<b>S0977</b>	<b>17.95</b>	<b>16.32</b>
<b>A7070</b>	<b>164.85</b>	<b>149.86</b>
<b>A7072</b>	<b>69.95</b>	<b>63.59</b>
<b>A7074</b>	<b>28.75</b>	<b>26.14</b>
<b>A7075</b>	<b>28.75</b>	<b>26.14</b>

- Introduces quick release function
- Improved dust collection
- Improved dust collection
- Protects dust trumpet from damage
- Holds work on table while cutting
- Holds work on table while cutting
- Supports guard & holds work on table
- Supports guard & holds work on table
- Guard - screws onto hold down arm
- Spare standard blade clamp
- Assists with pierced work
- Spare tightening key
- Allows hands free stop start
- Improves work station lighting
- Factory made bracket for machine
- Factory made bracket for machine

**S6914 & S6916 Jointhose****A7040 Blade guard****A7050 Hold Down****S6845 Quick Release****S0977 Key****A7070 Footswitch****A7072 Lamp****A7074 & S1001A****MULTICUT SPECIFICATIONS****Models 1 and 1e**

Shipping Weight	20 kg
Machine weight	16 kg
Warranty	3 years
Length	520mm (20 inches)
Width	270mm (11 inches)
Throat	365mm (14 inches)
Max Cut	50mm (2 inches)
Blades	Pinless 130 mm (5 inch)
Table	Machined alloy
Table size	435mm x 230mm (17" x 9")
Table tilt	0~45 degrees
Quick Tension Release	Yes at Rear
Quick Blade Clamp	No (accessory)
Indicative Noise At Idle	64.1 dB(A)
Indicative Noise Machining	74.5 dB(A)
Dust management	Dual - bellows blower & vacuum port
Stroke	Two options - 12 & 18mm
Ex Factory Stroke Setting	18mm
Speed Fixed (Model 1)	1400 spm
Speed Variable (Model 1e)	400~1400 spm
Motor	100Watts (230v, 50Hz, AC)
Motor Type (Model 1)	TEFC Cap start continuous duty
Motor Type (Model 1e)	TEFC VS drive continuous duty
Motor rating	Continuous
Indicative Capacities	
Soft Wood	50mm
Hard Wood	40mm
Alloy, Copper, Brass	5mm
Hard plastics, perspex	15mm
Polyurethane foam	50mm

**Models 2S and 2Se**

Shipping Weight	22 kg
Machine Weight	19kg
Warranty	3 years
Length	610mm (24 inches)
Width	280mm (11 inches)
Throat	460mm (18 inches)
Max Cut	65mm (2 1/2 inches)
Blades	Pinless 130 mm (5 inch)
Table 2S & 2Se	Machined alloy
Table size	435mm x 230mm (17" x 9")
Table tilt	-12 ~ +45 degrees
Quick Arm Tension Release	Yes at Front
Quick Blade Clamp	Yes
Indicative Noise At Idle	64.1 dB(A)
Indicative Noise Machining	74.5 dB(A)
Dust management	Dual - bellows blower & vacuum
Stroke	Two options - 12 & 19mm
Ex Factory Stroke Setting	19mm
Speed Fixed (Model 2S)	1400 spm
Speed variable (Model 2Se)	400~1400 spm
Motor	100Watts (230v, 50Hz, AC)
Motor Type (Model 2S)	TEFC Cap start contin. duty
Motor Type (Model 2Se)	TEFC VS drive contin. duty
Motor rating	Continuous
Indicative Capacities	
Soft Wood	65mm
Hard Wood	50mm
Alloy, Copper	5mm
Brass, Silver	10mm
Iron soft steel	8mm
Hard plastics, perspex	15mm
Polyurethane foam	65mm

**BLADES - FOR SCROLL AND COPING SAWS**

**PEBECO GENERAL PURPOSE, 130mm (Note: 1 gross = 12 dozen)**

General purpose blade for wood, plastics etc.

	ITEM	RRP	Ex GST
✓ 1doz, #3, #180, PEBECO	L1404	11.90	10.82
✓ 1doz, #5, #180, PEBECO	L1406	11.90	10.82
✓ 1doz, #7, #180, PEBECO	L1408	11.62	10.56
✓ 1doz, #9, #180, PEBECO	L1410	12.64	11.50
✓ 1doz, #14, #180, PEBECO	L1413	13.25	12.05
✓ 1gross, #3, #180, PEBECO	L1433	95.35	86.68
✓ 1gross, #5, #180, PEBECO	L1435	95.35	86.68
✓ 1gross, #7, #180, PEBECO	L1437	98.40	89.45
✓ 1gross, #9, #180, PEBECO	L1439	98.40	89.45
✓ 1gross, #14, #180, PEBECO	L1442	109.15	99.23



**FIX/REVERSE ULTRA SMOOTH CUT, 130mm - (Note: 1 gross = 12 dozen)**

Fix/reverse blades have some upward cutting teeth to minimise tearout on the bottom of the work

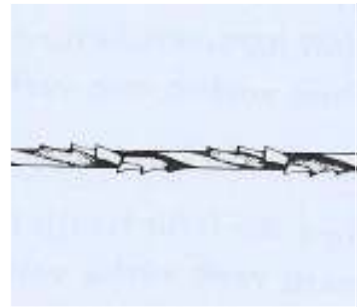
✓ 1 doz, #1, FIX/REVERSE	L1371	11.90	10.82
✓ 1doz, #5, FIX/REVERSE	L1373	11.62	10.56
✓ 1doz, #7, FIX/REVERSE	L1374	12.64	11.50
✓ 1doz, #9, FIX/REVERSE	L1375	13.25	12.05
✓ 1doz, #12, FIX/REVERSE	L1376	13.25	12.05
✓ 1gross, #1, FIX/REVERSE	L1391	88.15	80.14
✓ 1gross, #5, FIX/REVERSE	L1393	96.15	87.41
✓ 1gross, #7, FIX/REVERSE	L1394	97.12	88.29
✓ 1gross, #9, FIX/REVERSE	L1395	106.37	96.70
✓ 1gross, #12, FIX/REVERSE	L1396	116.12	105.56



**TWISTER BLADES - 130mm - (Note: 1 gross = 12 dozen)**

Have spirally teeth which allows cuts in any direction without rotating the work

✓ 1doz, #1, TWISTER	L1445	14.52	13.20
✓ 1doz, #3, TWISTER	L1446	14.52	13.20
✓ 1doz, #5, TWISTER	L1447	14.52	13.20
✓ 1 Gross, #1, TWISTER	L1450	109.94	99.95
✓ 1 Gross, #3, TWISTER	L1451	111.13	101.03
✓ 1 Gross, #5, TWISTER	L1452	113.66	103.33



**METAL CUTTING - FOR SOFT METALS (Note: 1 gross = 12 dozen)**

✓ 1 doz, #1 ANTILOPE BLUE	L1535	10.12	9.20
✓ 1 doz, #3 ANTILOPE BLUE	L1536	10.12	9.20
✓ 1 doz, #5 ANTILOPE BLUE	L1537	10.12	9.20
✓ 1 doz, #7 ANTILOPE BLUE	L1538	13.47	12.24
✓ 1 doz, #9 ANTILOPE BLUE	L1539	11.77	10.70
✓ 1 gross, #1 ANTILOPE BLUE	L1550	67.46	61.33
✓ 1 gross, #3 ANTILOPE BLUE	L1551	67.46	61.33
✓ 1 gross, #5 ANTILOPE BLUE	L1552	67.46	61.33
✓ 1 gross, #7 ANTILOPE BLUE	L1553	89.77	81.61
✓ 1 gross, #9 ANTILOPE BLUE	L1554	108.62	98.74

**PINNED BLADES FOR OTHER SCROLL SAW MACHINES (Note: 1 gross = 12 dozen)**

✓ Blades, Scroll Saw, Pinned, 130mm 10 tpi, pkt of dozen	L1660	12.67	11.52
✓ Blades, Scroll Saw, Pinned, 130mm 15 tpi, pkt of dozen	L1661	12.67	11.52
✓ Blades, Scroll Saw, Pinned, 130mm 20 tpi, pkt of dozen	L1662	12.67	11.52
✓ Blades, Scroll Saw, Pinned, 130mm 25 tpi, pkt of dozen	L1663	12.67	11.52
✓ Blades, Scroll Saw, Pinned, 130mm 10 tpi, 1 Gross	L1670	144.31	131.19
✓ Blades, Scroll Saw, Pinned, 130mm 15 tpi, 1 Gross	L1671	144.31	131.19
✓ Blades, Scroll Saw, Pinned, 130mm 20 tpi, 1 Gross	L1672	144.31	131.19
✓ Blades, Scroll Saw, Pinned, 130mm 25 tpi, 1 Gross	L1673	144.31	131.19

Pinned Scroll Saw Blades



**PINNED BLADES FOR COPING SAW FRAMES**

**Safety Note: Do NOT use 150mm coping blades in Hegner scroll saws. To do so risks the machine jamming at start up and catastrophic failure of the motor and/or breakage of the top arm pivot bolt because arm geometry is pushed out of limits.**

✓ 165 x 0.5mm Kerf, 1.69mm pitch (15 tpi), pkt dozen	L1891	13.19	11.99
✓ 165 x 0.5mm Kerf, 1.69mm pitch (15 tpi), Grosse, (12 doz)	L1892	141.27	128.43
✓ 165 x 0.5mm Kerf, 1.27mm pitch (20 tpi), pkt dozen	L1893	13.19	11.99
✓ 165 x 0.5mm Kerf, 1.27mm pitch (20 tpi), Grosse, (12 doz)	L1894	141.27	128.43

**BLADE DIMENSIONS**

ITEM	COUNT	SIZE	Pins	LONG	REV. TEETH	KERF	WIDTH	TPI	PITCH mm
<b>PEBECO 180</b>									
L1400	1 x doz	#2/0	no	130mm		0.25	0.58	30	0.85
L1404	1 x doz	#3	no	130mm		0.34	0.77	20	1.27
L1406	1 x doz	#5	no	130mm		0.39	1.03	17	1.54
L1408	1 x doz	#7	no	130mm		0.44	1.20	14	1.81
L1410	1 x doz	#9	no	130mm		0.48	1.50	14	1.81
L1413	1 x doz	#14	no	130mm		0.55	1.90	10	2.54
L1429	12 x doz	#2/0	no	130mm		0.25	0.58	30	0.85
L1433	12 x doz	#3	no	130mm		0.34	0.77	20	1.27
L1435	12 x doz	#5	no	130mm		0.39	1.03	17	1.54
L1437	12 x doz	#7	no	130mm		0.44	1.20	14	1.81
L1439	12 x doz	#9	no	130mm		0.48	1.50	14	1.81
L1442	12 x doz	#14	no	130mm		0.55	1.90	10	2.54
<b>FIX / REVERSE 400/R</b>									
L1371	1 x doz	#1	no	130mm	8	0.30	0.77	15	1.69
L1373	1 x doz	#5	no	130mm	8	0.38	0.93	12	2.12
L1374	1 x doz	#7	no	130mm	8	0.42	1.10	12	2.12
L1375	1 x doz	#9	no	130mm	8	0.46	1.35	12	2.12
L1376	1 x doz	#12	no	130mm	4	0.52	1.70	8	3.18
L1391	12 x doz	#1	no	130mm	8	0.30	0.77	15	1.69
L1393	12 x doz	#5	no	130mm	8	0.38	0.93	12	2.12
L1394	12 x doz	#7	no	130mm	8	0.42	1.10	12	2.12
L1395	12 x doz	#9	no	130mm	8	0.46	1.35	12	2.12
L1396	12 x doz	#12	no	130mm	4	0.52	1.70	8	3.18
<b>TWISTER</b>									
L1445	1 x doz	#1	no	130mm	7	0.72	0.70		
L1446	1 x doz	#3	no	130mm	7	0.85	0.77		
L1447	1 x doz	#5	no	130mm	7	0.88	0.90		
L1450	12 x doz	#1	no	130mm	7	0.72	0.70		
L1451	12 x doz	#3	no	130mm	7	0.85	0.77		
L1452	12 x doz	#5	no	130mm	7	0.88	0.90		
<b>METAL CUTTING</b>									
L1535	1 x doz	#1	no	130mm		0.28	0.62	51	0.50
L1536	1 x doz	#3	no	130mm		0.36	0.75	41	0.63
L1537	1 x doz	#5	no	130mm		0.40	0.85	33	0.77
L1538	1 x doz	#7	no	130mm		0.50	1.10	28	0.91
L1539	1 x doz	#9	no	130mm		0.55	1.30	23	1.11
L1550	12 x doz	#1	no	130mm		0.28	0.62	51	0.50
L1551	12 x doz	#3	no	130mm		0.36	0.75	41	0.63
L1552	12 x doz	#5	no	130mm		0.40	0.85	33	0.77
L1553	12 x doz	#7	no	130mm		0.50	1.10	28	0.91
L1554	12 x doz	#9	no	130mm		0.55	1.30	23	1.11
<b>PINNED SCROLLSAW BLADES</b>									
L1660	1 x doz	10	/es	130mm		0.50	3.00	10	2.54
L1661	1 x doz	15	/es	130mm		0.50	3.00	15	1.69
L1662	1 x doz	20	/es	130mm		0.50	3.00	20	1.27
L1663	1 x doz	25	/es	130mm		0.25	2.00	25	1.02
L1670	12 x doz	10	/es	130mm		0.50	3.00	10	2.54
L1671	12 x doz	15	/es	130mm		0.50	3.00	15	1.69
L1672	12 x doz	20	/es	130mm		0.50	3.00	20	1.27
L1673	12 x doz	25	/es	130mm		0.25	2.00	25	1.02
<b>PINNED COPING SAW</b>									
L1891	1 x doz		/es	165mm		0.50		15	1.69
L1892	12 x doz		/es	165mm		0.50		15	1.69
L1893	1 x doz		/es	165mm		0.50		20	1.27
L1894	12 x doz		/es	165mm		0.50		20	1.27

## DECORATIVE JOINTING

The ZFG Finger Jointing machine has been discontinued. Some spares remain available.

**Note: From early 2015 HSS cutters are being phased out due to unavailability.**

	ITEM	RRP	Ex GST
<b>HIGH SPEED STEEL SPIRAL BITS</b>			
✓ 4mm with 1/4 inch (6.35mm) Shank	R6145	62.65	56.95
✓ 6mm with 1/4 inch (6.35mm) Shank	R6146	62.65	56.95
✓ 12mm with 1/4 inch (6.35mm) Shank	R6149	62.65	56.95
✓ 4mm with 8mm Shank	R6151	62.65	56.95
✓ 6mm with 8mm Shank	R6152	62.65	56.95
✓ 12mm with 8mm Shank	R6155	62.65	56.95
<b>SOLID CARBIDE</b>			
✓ 6mm with 8mm Shank	R6165	101.37	92.15
✓ 8mm with 8mm Shank	R6166	101.37	92.15

## VACUUMS

### HEGNER MAXIMUS UNDERBENCH VACUUM

The Hegner Maximus is the perfect machine for installations where distributed dust control is installed.

The Maximus from Hegner is a down-size, quiet vacuum with variable suction which is ideally suited to placement under work benches. It has a master-slave feature which allows bench top machines to automatically switch the vacuum on and off.

This saves on power consumption and reduces noise in the work room. Only 62dB (A) at max power

	ITEM	RRP	Ex GST
✓ Vacuum/Dust Extractor, Maximus 13E	M0920	589.55	535.95
✓ Bag, Filter, for Hegner Maximus 13E, 10 pieces	C0720	72.19	65.63

### Specifications

Model	Hegner Maximus 13E
Height	405mm
Width	290mm
Depth	400mm
Weight	tba
Mains	230 volt AC, 50 Hz
Max power	1250 watts
Noise at Max power	62dB(A)
Variable suction & noise	Yes
Dust volume	13 litres
Dust hose	2.5 metres
Suction throughput	Max. 60 litres/sec
Vacuum Pressure	290 mbar
Filtration	HEPA H21
Bags	Yes, disposable (See C0720)



MODEL 500  
MODEL 1000



### STRIP HEATERS FOR PLASTICS WORK

✓ 500mm Capacity, 240Volts, 200Watts, #SH 500-1	M0050	714.00	649.09
✓ 1000mm Capacity, 240Volts, 200Watts, #SH 1000-1	M0051	891.00	810.00

## SANDING

### HEGNER SANDERS

The WSM German made Hegner disc sander has a 300mm, fully guarded velcro equipped hook disc & is equipped with no-volt starting. It is fitted with an efficient dust collection port.

The HSM-300S has a tilting disc and fixed table which allows heavier pieces to be worked. Digital tilt gauge is an option.

The TWS 230 table drum sander has a sanding width of 230mm and table 520mm x 320mm. Fence is optional. The TWS is the perfect companion machine for the Hegner scroll saws and finger jointers. With a fence fitted (please order as accessory) and table height perfectly adjusted it can final sand most scroll saw and box projects very safely.

The TBS 500 belt sander tilts so that the sanding platten can be either horizontal or vertical. The optional bobbin attachment fits to the belt sander. The machine has no-volt starting and excellent dust porting. (Stand illustrated but not supplied)

	ITEM	RRP	Ex GST
✓ Sander, Disc, 200mm, #HSM-200S	M1054	1,591.00	1,446.36
✓ Sander, Disc, 300mm, #WSM-300	M1052	1,310.00	1,190.91
✓ Sander, Disc, #HSM-300	M1051	2,023.00	1,839.09
✓ Sander, Disc, #HSM-300 S	M1050	2,292.00	2,083.64
✓ Sander, Drum, Hegner, #TWS230	M1094	748.00	680.00
✓ Sander, Drum, Belt, #TBS-500	M1043	3,369.00	3,062.73
✓ Sander, Bobbin, Accessory for, #TBS-500	A4131	372.00	338.18



M1052



M1094



M1050



M1054



M1043



A4131



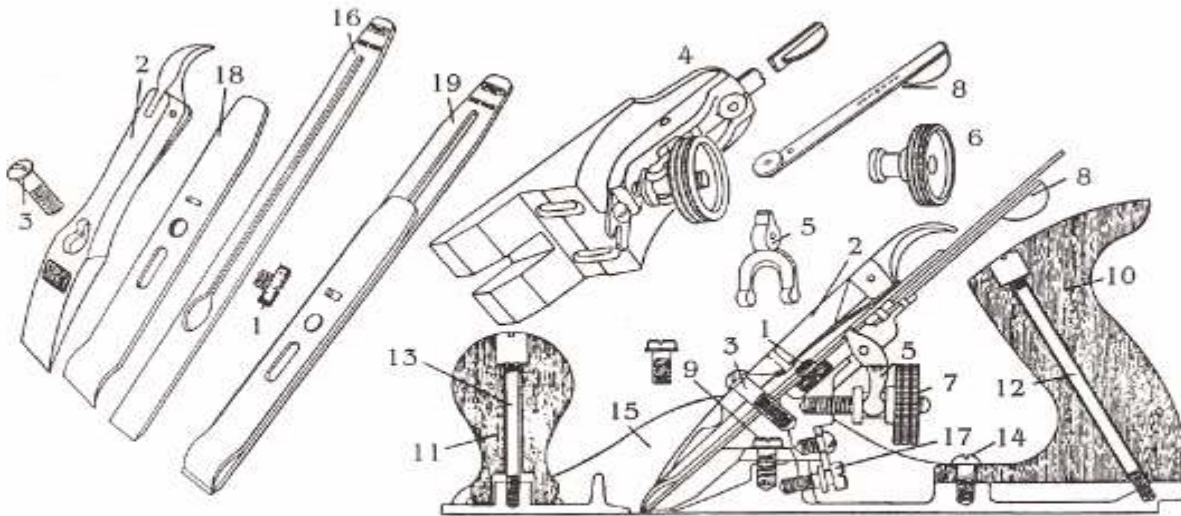
M1051



### BENCH PLANE SPARE PARTS

For several years spares for Stanley planes for been only intermittently available and in many cases only in quite extensive kits. In addition to these kits we now can offer some parts to the component level for all other than Y levers, lateral adjust levers and frog clips all of which require the purchase of a full frog assembly.

### Spares



1	Cap screw	6	Adjusting nut	11	Knob	16	Cutting iron
2	Lever cap	7	Adjusting nut screw	12	Handle bolt & nut	17	Frog adjusting screw
3	Lever cap screw	8	Lateral adjusting screw	13	Knob bolt & nut	18	Back iron
4	Frog complete	9	Frog screw	14	Handle screw		
5	"Y" adjusting lever	10	Handle	15	Plan body		

### SPARES KITS

- ✓ No: 1, Handle & Knob, for #3, #4
- ✓ No: 2, Handle & Knob, for #4 1/2, #5, #5 1/2, #6, #7
- ✓ No: 3, Bench Plane Fasteners
- ✓ No: 8, Lever Cap for #4, #5
- ✓ No: 9, Lever Cap for #4 1/2, #5 1/2, #8, #7

ITEM	RRP	Ex GST	PART
S2980	29.15	26.50	10,12,14,11,13
S2981	31.22	28.38	10,12,14,11,13
S2983	42.15	38.32	Set of Stanley & Metric.
S2987	41.50	37.73	2
S2988	68.30	62.09	2

**SPARES INDIVIDUALLY - (NOTE: ALL ARE STANLEY THREAD, VERY NEW PLANES MAY BE PARTLY METRIC)**

✓ Screw & Nut, Handle, #3 to #4, #P78987	<b>S3005</b>	<b>12.13</b>	<b>11.03</b>	<b>12</b>
✓ Screw & Nut, Handle, #4.5 to #7, #P78995	<b>S3006</b>	<b>12.13</b>	<b>11.03</b>	<b>12</b>
✓ Screw & Nut, Knob, #3 & #4, #P79026	<b>S3007</b>	<b>11.22</b>	<b>10.20</b>	<b>13</b>
✓ Screw & Nut, Knob, #4.5 to #7, #P79034	<b>S3008</b>	<b>11.22</b>	<b>10.20</b>	<b>13</b>
✓ Screw, Toe, #P36396	<b>S3010</b>	<b>10.00</b>	<b>9.09</b>	<b>14</b>
✓ Screw, Frog Mounting, and Washer, #P78979	<b>S3011</b>	<b>6.00</b>	<b>5.45</b>	<b>9</b>
✓ Screw, Lever Cap, #P33066	<b>S3012</b>	<b>10.00</b>	<b>9.09</b>	<b>3</b>
✓ Screw, Cap/Back Iron, #3 to #7, #P33009	<b>S3013</b>	<b>10.00</b>	<b>9.09</b>	<b>1</b>
✓ Screw, Frog Adjusting, #P32864	<b>S3014</b>	<b>10.00</b>	<b>9.09</b>	<b>17</b>
✓ Nut, Adjusting, #P34419	<b>S3016</b>	<b>16.00</b>	<b>14.55</b>	<b>6</b>
✓ Screw, Adjusting Nut, #P34427	<b>S3017</b>	<b>10.00</b>	<b>9.09</b>	<b>7</b>

**SHARPENING**

**SLOW SPEED WATER GRINDERS - SCANGRIND - DENMARK**

Slow speed water grinders sharpen all carbon steel edge tools with minimal risk to the operator. Water grinders are a perfect solution for bench and carving chisels and hand plane blades. The wheel rotates slowly in a water bath making it impossible to overheat the tool. These machines are safer than high speed bench grinders and the grinding process is slower and more controllable. Item Code M0004 is supplied with a diamond honing lapping plate which allows for final honing of edges. There are accessories for assisted grinding, repeatability and additional precision - see below.

**WATER GRINDERS , ACCESSORIES & SPARES**

	<b>ITEM</b>	<b>RRP</b>	<b>Ex GST</b>
✓ Grinder, Water, Scan 200EK, #SC200EK	<b>M0005</b>	<b>559.44</b>	<b>508.58</b>
✓ Unit, Base, 'Startset', for Scangrind 200, #3800025	<b>A1981</b>	<b>104.58</b>	<b>95.07</b>
✓ Guide, Sliding, for Scan Grind 200, #3800026	<b>A1982</b>	<b>81.90</b>	<b>74.45</b>
✓ Jig, Grinding, Universal, for Scan 200, #3800023	<b>A1983</b>	<b>78.12</b>	<b>71.02</b>
✓ Jig, Grinding, Fingernail, for Scan 200, #3800021	<b>A1986</b>	<b>104.58</b>	<b>95.07</b>
✓ Wheel, Grinding, Scan 200mm Water Grinder, Spare	<b>S1341</b>	<b>164.64</b>	<b>149.67</b>



**A1981 + A1982**



**A1981 + A1982 + A1983**



**A1986**



**S1341**



**HIGH SPEED BENCH GRINDERS**

High speed bench grinders sharpen all steel tools including high speed steel turning tools. The grinding wheels supplied with the great majority of bench grinders are suited to grinding mild steel for welding and not tool sharpening. An aluminium oxide, cool running wheel should be fitted for tool sharpening. to keep grinding wheels maintained. Our grinder is Danish made and comes with both A dressing stick, either a carborundum block or diamond point, is an essential tool.

**BENCH GRINDERS, ACCESSORIES & SPARES**

	<b>ITEM</b>	<b>RRP</b>	<b>Ex GST</b>
✓ Wheel, Alu.Oxide 46grit, 200mm x 25mm, Multi Bushed	<b>S0027</b>	<b>44.12</b>	<b>40.11</b>
✓ Wheel, Alu.Oxide 60grit, 200mm x 25mm, Multi Bushed	<b>S0028</b>	<b>44.12</b>	<b>40.11</b>
✓ Wheel, Alu.Oxide 80grit, 200mm x 25mm, Multi Bushed	<b>S0029</b>	<b>44.12</b>	<b>40.11</b>
✓ Wheel, Alu.Oxide 80grit, 150mm x 25mm, Multi Bushed	<b>S0030</b>	<b>27.43</b>	<b>24.94</b>
✓ Wheel, Alu.Oxide 120grit, 200mm x 25mm, Multi Bushed	<b>S0031</b>	<b>44.12</b>	<b>40.11</b>
✓ Stick, Dressing, Diamond, 0.5 carat	<b>E0001</b>	<b>40.75</b>	<b>37.05</b>

**S0027 to S0031**



**E0001**





## HAND SHARPENING EQUIPMENT

Diamond sharpening plates are now available in a range of grits which means they are a complete alternative to other sharpening and honing systems. They are very durable and do not cup after extended use.

Waterstones offer the ultimate edge however are not as durable as other stones or diamond plates and must be used with a honing guide. Stropps should be used with honing compound. Aluminium oxide wheels are the preferred wheel for tool sharpening on a high speed bench grinder. A honing guide which holds the straight edge tool at the correct angle is strongly recommended.

	ITEM	RRP	Ex GST
	T0010	ERR	ERR

- ✓ Guide, Honing

**T0010**



**S0600**



**S0621**



## PYROGRAPHY (WOOD BURNING)

The Australian made Ironcore has wide acceptance in the Australian School market.

	ITEM	RRP	Ex GST
✓ Kit, Pyrography, Ironcore, Pokerworker, T3/54	E0121	295.00	268.18
✓ Handle, Ironcore Pyrography Tool, Spare	S0600	66.00	60.00
✓ Tips, Ironcore Pyrograph Tool, pkt 10	S0621	16.95	15.41

## PROJECT COMPONENTS & MATERIALS

Wood Works supplies some sizes of pre-cut plywood and pine for school projects. We supply Radiata Pine in solid wood form and Hoop Pine as plywood, both of which are fully plantation grown in Australia and are sustainably harvested. The pine is supplied fault docked which removes major knots and blemishes and is suited to many school projects. The Hoop Pine ply is a clear, pale, fine grained ply which cuts smoothly and is easily finished. It is ideal for pyrography (wood burning) projects.

Minimum orders apply. Some popular sizes are listed below. Other sizes available on request.

### HOOP PINE FACED PLYWOOD

	ITEM	RRP	Ex GST
✓ Ply, Hoop Pine, A4, 295mm x 210mm x 4mm, Packs 20	W4000	please call for quote	
✓ Ply, Hoop Pine, A4, 295mm x 210mm x 6mm, Packs 40	W4001	please call for quote	
✓ Ply, Hoop Pine, A4, 295mm x 210mm x 9mm, Packs 40	W4002	please call for quote	
✓ Ply, Hoop Pine, A4, 295mm x 210mm x 12mm, Packs 40	W4003	please call for quote	
✓ Ply, Hoop Pine, A3, 395mm x 295mm x 4mm, Packs 24	W4050	please call for quote	
✓ Ply, Hoop Pine, A3, 395mm x 295mm x 6mm, Packs 24	W4051	please call for quote	
✓ Ply, Hoop Pine, A3, 395mm x 295mm x 9mm, Packs 24	W4052	please call for quote	
✓ Ply, Hoop Pine, A3, 395mm x 295mm x 12mm, Packs 24	W4053	please call for quote	
✓ Ply, Hoop Pine, 190 x 295 x 4mm, Packs of 48	W4070	please call for quote	
✓ Ply, Hoop Pine, 295 x 295 x 4mm, Packs of 32	W4071	please call for quote	
✓ Ply, Hoop Pine, 445 x 295 x 4mm, Packs of 20	W4072	please call for quote	
✓ Ply, Hoop Pine, 445 x 310 x 4mm, Bases for Trays, Packs	W4073	please call for quote	



### PINE WOOD, FAULT DOCKED

	ITEM	RRP	Ex GST
✓ 42mm x 12mm -130mm long	W5140	please call for quote	
✓ 42mm x 12mm -150mm long	W5145	please call for quote	
✓ 42mm x 12mm - 210mm long	W5151	please call for quote	
✓ 42mm x 12mm - 295mm long	W5152	please call for quote	
✓ 42mm x 12mm - 381mm long	W5153	please call for quote	
✓ 140mm x 12mm - 140mm long	W5301	please call for quote	
✓ 140mm x 12mm - 210mm long	W5302	please call for quote	
✓ 140mm x 12mm - 300mm long	W5303	please call for quote	
✓ 140mm x 12mm - 400mm long	W5304	please call for quote	
✓ 140mm x 19mm - 310mm	W5460	please call for quote	
✓ 190mm x 19mm - 200mm	W5481	please call for quote	
✓ 190mm x 19mm - 295mm A4	W5482	please call for quote	
✓ 190mm x 19mm - 350mm	W5483	please call for quote	



We supply schools with pre cut and machined components for projects such as serving trays and bookends. Please contact us for your requirements.

**HINGES**

	ITEM	RRP	Ex GST
✓ Butt, Brass, 3/4 x 5/8 inch, with 8x2.3mm screws, pair	H0200	6.48	5.89
✓ Butt, Brass, 2 1/2 x 5/8 inch, with 8x2.3mm screws, pair	H0260	15.23	13.85
✓ Butt, Brass, 90deg 1 x 5/8 inch, with 8x2.3mm screws, pair	H0261	29.65	26.95
✓ Knuckle, Brass, 5mm, pkt 6	H0400	13.95	12.68
✓ Knuckle, Brass/Nickel Plated, 5mm, pkt 6	H0401	13.95	12.68
<b>Hinge, Concealed Knuckle, Soss Type, Steel/Brass Plated</b>			
✓ 8mm, pair	H0449	17.55	15.95
✓ 10mm x 11mm, pair, #ZH10	H0450	18.36	16.69
✓ 12mm x 12mm, pair, #ZH12	H0451	18.96	17.24
✓ 14mm x 16mm, pair, #ZH14	H0452	20.28	18.44
✓ 16mm x 17mm, pair, #ZH16	H0453	23.52	21.38
✓ 18mm x 18mm, pair, #ZH18	H0454	28.76	26.15
✓ 24mm x 25mm, pair, #ZH24	H0455	54.44	49.49



**CUTLER'S RIVETS - SOLID BRASS, SETS OF 1 SPUR AND 1 SHEATH**

✓ 6mm head x 8mm shaft, 11mm max material, 10sets	H0090	10.08	9.16
✓ 6mm head x 10mm shaft, 15mm max material, 10sets	H0091	12.23	11.12
✓ 8.5mm head x 16mm shaft, 25mm max material, 6 sets	H0092	14.15	12.86



**THREADED INSERTS FOR WOOD - SOLID BRASS**

✓ Insert, Threaded, Brass, 3mm, pair	H3900	5.50	5.00
✓ Insert, Threaded, Brass, 3mm, dozen	H3901	13.85	12.59
✓ Insert, Threaded, Brass, 4mm, pair	H3902	6.30	5.73
✓ Insert, Threaded, Brass, 4mm, dozen	H3903	14.62	13.29
✓ Insert, Threaded, Brass, 5mm, pair	H3914	6.98	6.35
✓ Insert, Threaded, Brass, 5mm, dozen	H3915	14.88	13.53
✓ Insert, Threaded, Brass, 6mm, pair	H3904	8.15	7.41
✓ Insert, Threaded, Brass, 6mm, dozen	H3905	19.29	17.54
✓ Insert, Threaded, Brass, 8mm, pair	H3906	9.80	8.91
✓ Insert, Threaded, Brass, 8mm, dozen	H3907	26.01	23.65
✓ Insert, Threaded, Brass, 1/4 inch, pair	H3908	6.30	5.73
✓ Insert, Threaded, Brass, 1/4 inch, dozen	H3909	19.94	18.13
✓ Insert, Threaded, Brass, 5/16 inch, pair	H3910	6.98	6.35
✓ Insert, Threaded, Brass, 5/16 inch, dozen	H3911	19.94	18.13
✓ Insert, Threaded, Brass, 3/8 inch, pair	H3912	9.00	8.18
✓ Insert, Threaded, Brass, 3/8 inch, dozen	H3913	26.01	23.65

Solid Brass



Zinc Alloy Flanged

**ZINC ALLOY**

✓ FLANGED, 5mm x 1.0mm pitch, pair	H3940	2.70	2.45
✓ FLANGED, 5mm x 1.0mm pitch, dozen	H3941	13.50	12.27
✓ FLANGED, 6mm x 1.0mm pitch, pair	H3942	2.70	2.45
✓ FLANGED, 6mm x 1.0mm pitch, dozen	H3943	13.50	12.27
✓ FLANGED, 8mm x 1.25mm pitch, pair	H3944	2.80	2.55
✓ FLANGED, 8mm x 1.25mm pitch, dozen	H3945	14.00	12.73
✓ FLANGED, 10mm x 1.5mm pitch, pair	H3946	2.80	2.55
✓ FLANGED, 10mm x 1.5mm pitch, dozen	H3947	18.15	16.50
✓ FLANGED, 1/4 inch x 20tpi BSW, pair	H3948	2.60	2.36
✓ FLANGED, 1/4 inch x 20 tpi BSW, dozen	H3949	13.00	11.82
✓ FLANGED, 5/16 inch x 18tpi BSW, pair	H3950	2.80	2.55
✓ FLANGED, 5/16 inch x 18 tpi BSW, dozen	H3951	14.00	12.73
✓ UN-FLANGED, 6mm x 1.0mm pitch, pair	H3952	2.90	2.64
✓ UN-FLANGED, 6mm x 1.0mm pitch, dozen	H3953	14.50	13.18
✓ UN-FLANGED, 8mm x 1.25mm pitch, pair	H3954	3.10	2.82
✓ UN-FLANGED, 8mm x 1.25mm pitch, dozen	H3955	15.50	14.09
✓ UN-FLANGED, 5/16 inch x 18tpi BSW, pair	H3956	3.10	2.82
✓ UN-FLANGED, 5/16 inch x 18 tpi BSW, dozen	H3957	15.50	14.09

Zinc Alloy Un-Flanged



**BRASS BUTT HINGES - OPEN 270 DEGREES**

- ✓ 2 pair, High 25mm x Long 19mm
- ✓ 100 pairs, High 25mm x Long 19mm
- ✓ 2 pair, High 38mm x Long 22mm
- ✓ 100 pairs, High 38mm x Long 22mm

ITEM	RRP	Ex GST
H0270	11.90	10.82
H0271	476.00	432.73
H0272	14.95	13.59
H0273	598.00	543.64

H0270



**MICRO WOOD SCREWS - STEEL BRASS PLATED**

- ✓ Screws, Brass Plated, 4mm x 1.7mm, pkt approx 100
- ✓ Screws, Brass Plated, 5mm x 2.0mm, pkt approx 100
- ✓ Screws, Brass Plated, 6mm x 1.7mm, pkt approx 100
- ✓ Screws, Brass Plated, 6mm x 2.0mm, pkt approx 100
- ✓ Screws, Brass Plated, 8mm x 2.3mm, pkt approx 100
- ✓ Screws, Brass Plated, 10mm x 2.3mm, pkt approx 100
- ✓ Screws, Brass Plated, 12mm x 2.0mm, pkt approx 100
- ✓ Screws, Brass Plated, 12mm x 2.3mm, pkt approx 100

ITEM	RRP	Ex GST
H5210	17.36	15.78
H5211	18.69	16.99
H5212	18.73	17.02
H5213	18.73	17.02
H5214	16.23	14.76
H5215	22.68	20.62
H5216	27.48	24.98
H5217	28.07	25.52

H5210



**BRASS COUNTERSUNK HEAD WOOD SCREWS - SLOTTED HEAD**

- ✓ 2 Gauge x 1/4 inch (6mm), Box 100pcs
- ✓ 2 Gauge x 3/8 inch (10mm), Box 100pcs
- ✓ 2 Gauge x 1/2 inch (12mm), Box 100pcs
- ✓ 2 Gauge x 3/4 inch (19mm), Box 100pcs
- ✓ 3 Gauge x 3/8 inch (10mm), Box 100pcs
- ✓ 3 Gauge x 1/2 inch (12mm), Box 100pcs
- ✓ 3 Gauge x 5/8 inch (16mm), Box 100pcs
- ✓ 3 Gauge x 3/4 inch (19mm), Box 100pcs
- ✓ 4 Gauge x 3/8 inch (10mm), Box 100pcs
- ✓ 4 Gauge x 1/2 inch (12mm), Box 100pcs
- ✓ 4 Gauge x 5/8 inch (16mm), Box 100pcs
- ✓ 4 Gauge x 3/4 inch (19mm), Box 100pcs
- ✓ 4 Gauge x 7/8 inch (22mm), Box 100pcs
- ✓ 4 Gauge x 1 1/4 inch (32mm), Box 100pcs
- ✓ 5 Gauge x 1/2 inch (12mm), Box 100pcs
- ✓ 5 Gauge x 5/8 inch (16mm), Box 100pcs
- ✓ 5 Gauge x 1 inch (25mm), Box 100pcs
- ✓ 6 Gauge x 3/8 inch (10mm), Box 100pcs
- ✓ 6 Gauge x 5/8 inch (16mm), Box 100pcs
- ✓ 6 Gauge x 3/4 inch (19mm), Box 100pcs
- ✓ 6 Gauge x 1 inch (25mm), Box 100pcs
- ✓ 6 Gauge x 1 1/4 inch (32mm), Box 100pcs
- ✓ 6 Gauge x 1 1/2 inch (38mm), Box 100pcs
- ✓ 6 Gauge x 1 3/4 inch (44.5mm), Box 100pcs
- ✓ 6 Gauge x 2 inch (50mm), Box 100pcs
- ✓ 8 Gauge x 3/8 inch (10mm), Box 100pcs
- ✓ 8 Gauge x 1/2 inch (12mm), Box 100pcs
- ✓ 8 Gauge x 3/4 inch (19mm), Box 100pcs
- ✓ 8 Gauge x 1 inch (25mm), Box 100pcs
- ✓ 8 Gauge x 1 1/4 inch (32mm), Box 100pcs
- ✓ 8 Gauge x 1 1/2 inch (38mm), Box 100pcs
- ✓ 8 Gauge x 2 inch (50mm), Box 100pcs

H8300	11.98	10.89
H8301	14.90	13.55
H8302	14.60	13.27
H8303	16.75	15.23
H8305	17.80	16.18
H8306	19.38	17.61
H8307	15.80	14.36
H8308	14.65	13.32
H8310	15.45	14.05
H8311	21.60	19.64
H8312	15.70	14.27
H8313	17.90	16.27
H8314	20.40	18.55
H8315	22.25	20.23
H8317	16.75	15.23
H8318	19.25	17.50
H8319	25.88	23.52
H8321	27.33	24.84
H8322	25.15	22.86
H8323	28.30	25.73
H8324	39.33	35.75
H8325	41.70	37.91
H8326	42.75	38.86
H8327	54.30	49.36
H8328	55.38	50.34
H8330	27.33	24.84
H8331	25.15	22.86
H8332	28.30	25.73
H8333	39.33	35.75
H8334	41.70	37.91
H8335	42.75	38.86
H8336	54.30	49.36

H8300



**BRASS COUNTERSUNK HEAD WOOD SCREWS - PHILLIPS HEAD**

- ✓ 2G x 1/2 inch (12.5mm), Box 100pcs
- ✓ 3G x 1/2 inch (12.5mm), Box 100pcs
- ✓ 4G x 3/8 inch (10mm), Box 100pcs
- ✓ 4G x 1/2 inch (12.5mm), Box 100pcs
- ✓ 4G x 3/4 inch (19mm), Box 100pcs

H8450	14.65	13.32
H8452	14.80	13.45
H8454	14.13	12.84
H8455	14.80	13.45
H8456	15.45	14.05



✓ 5G x 1/2 inch (12.5mm), Box 100pcs	<b>H8458</b>	<b>21.28</b>	<b>19.34</b>
✓ 5G x 5/8 inch (16mm), Box 100pcs	<b>H8459</b>	<b>18.60</b>	<b>16.91</b>
✓ 5G x 1 inch (25.4mm), Box 100pcs	<b>H8460</b>	<b>25.30</b>	<b>23.00</b>
<hr/>			
✓ 6G x 1/2 inch (12.5mm), Box 100pcs	<b>H8462</b>	<b>16.50</b>	<b>15.00</b>
✓ 6G x 5/8 inch (16mm), Box 100pcs	<b>H8463</b>	<b>18.38</b>	<b>16.70</b>
✓ 6G x 3/4 inch (19mm), Box 100pcs	<b>H8464</b>	<b>21.20</b>	<b>19.27</b>
✓ 6G x 1 inch (25.4mm), Box 100pcs	<b>H8465</b>	<b>27.78</b>	<b>25.25</b>
✓ 6G x 1 1/4 inch (32mm), Box 100pcs	<b>H8466</b>	<b>31.65</b>	<b>28.77</b>

**BRASS ROUND HEAD WOOD SCREWS - SLOTTED HEAD**

✓ 2 Gauge x 1/4 inch (6mm), Box 100 pcs	<b>H8076</b>	<b>20.89</b>	<b>18.99</b>
✓ 2 Gauge x 3/8 inch (10mm), Box 100 pcs	<b>H8077</b>	<b>23.04</b>	<b>20.94</b>
✓ 2 Gauge x 1/2 inch (12mm), Box 100 pcs	<b>H8078</b>	<b>23.04</b>	<b>20.94</b>
<hr/>			
✓ 3 Gauge x 3.8 inch (10mm), Box 100 pcs	<b>H8080</b>	<b>21.96</b>	<b>19.97</b>
✓ 3 Gauge x 1/2 inch (12mm), Box 100 pcs	<b>H8081</b>	<b>23.04</b>	<b>20.94</b>
<hr/>			
✓ 4 Gauge x 1/4 inch (6mm), Box 100 pcs	<b>H8083</b>	<b>23.75</b>	<b>21.59</b>
✓ 4 Gauge x 3/8 inch (10mm), Box 100 pcs	<b>H8084</b>	<b>23.75</b>	<b>21.59</b>
✓ 4 Gauge x 1/2 inch (12mm), Box 100 pcs	<b>H8085</b>	<b>23.75</b>	<b>21.59</b>
✓ 4 Gauge x 5/8 inch (16mm), Box 100 pcs	<b>H8086</b>	<b>26.25</b>	<b>23.86</b>
✓ 4 Gauge x 3/4 inch (19mm), Box 100 pcs	<b>H8087</b>	<b>27.32</b>	<b>24.84</b>
✓ 4 Gauge x 1 inch (25mm), Box 100 pcs	<b>H8088</b>	<b>30.54</b>	<b>27.76</b>



**BRASS RAISED COUNTERSUNK HEAD WOOD SCREWS - SLOTTED HEAD**

✓ 3G x 3/8 inch (10mm), Box 100pcs	<b>H8695</b>	<b>13.80</b>	<b>12.55</b>
✓ 3G x 1/2 inch (12mm), Box 100pcs	<b>H8696</b>	<b>15.78</b>	<b>14.34</b>
<hr/>			
✓ 4G x 3/8 inch (10mm), Box 100pcs	<b>H8698</b>	<b>18.68</b>	<b>16.98</b>
✓ 4G x 1/2 inch (12mm), Box 100pcs	<b>H8699</b>	<b>13.85</b>	<b>12.59</b>
✓ 4G x 5/8 inch (16mm), Box 100pcs	<b>H8700</b>	<b>15.18</b>	<b>13.80</b>
✓ 4G x 3/4 inch (19mm), Box 100pcs	<b>H8701</b>	<b>20.43</b>	<b>18.57</b>
✓ 4G x 1 inch (25.4mm), Box 100pcs	<b>H8702</b>	<b>19.83</b>	<b>18.02</b>
✓ 4G x 1 1/4inch (32mm), Box 100pcs	<b>H8703</b>	<b>27.50</b>	<b>25.00</b>
<hr/>			
✓ 6G x 5/8 inch (16mm), Box 100pcs	<b>H8705</b>	<b>35.00</b>	<b>31.82</b>
✓ 6G x 3/4 inch (19mm), Box 100pcs	<b>H8706</b>	<b>25.60</b>	<b>23.27</b>
✓ 6G x 1 1/4inch (32mm), Box 100pcs	<b>H8707</b>	<b>30.93</b>	<b>28.11</b>
<hr/>			
✓ 7G x 1 1/4inch (32mm), Box 100pcs	<b>H8709</b>	<b>27.05</b>	<b>24.59</b>
<hr/>			
✓ 8G x 1/2 inch (12mm), Box 100pcs	<b>H8711</b>	<b>29.35</b>	<b>26.68</b>
✓ 8G x 5/8 inch (16mm), Box 100pcs	<b>H8712</b>	<b>28.78</b>	<b>26.16</b>
✓ 8G x 3/4 inch (19mm), Box 100pcs	<b>H8713</b>	<b>31.98</b>	<b>29.07</b>
✓ 8G x 7/8 inch (22mm), Box 100pcs	<b>H8714</b>	<b>36.63</b>	<b>33.30</b>
✓ 8G x 1 inch (25.4mm), Box 100pcs	<b>H8715</b>	<b>41.63</b>	<b>37.84</b>
✓ 8G x 1 1/4inch (32mm), Box 100pcs	<b>H8716</b>	<b>43.80</b>	<b>39.82</b>
✓ 8G x 1 1/2inch (38mm), Box 100pcs	<b>H8717</b>	<b>46.15</b>	<b>41.95</b>



**SOLID BRASS ESCUTCHEON PINS**

✓ 6.35 x 1.00 x 1.6mm Head Diam, 100pcs	<b>H0671</b>	<b>7.92</b>	<b>7.20</b>
✓ 6.35 x 1.00 x 1.6mm Head Diam, 500pcs	<b>H0672</b>	<b>31.68</b>	<b>28.80</b>
✓ 6.35 x 1.80 x 3.40mm Head Diam, 100pcs	<b>H0675</b>	<b>11.82</b>	<b>10.75</b>
✓ 6.35 x 1.80 x 3.40mm Head Diam., 500pcs	<b>H0676</b>	<b>47.28</b>	<b>42.98</b>
✓ 9.5 x 1.00 x 2.25mm Head Diam, 100pcs	<b>H0677</b>	<b>8.72</b>	<b>7.93</b>
✓ 9.5 x 1.00 x 2.25mm Head Diam, 500pcs	<b>H0678</b>	<b>34.88</b>	<b>31.71</b>
✓ 9.5 x 1.25 x 2.25mm Head Diam, 100pcs	<b>H0679</b>	<b>9.76</b>	<b>8.87</b>
✓ 9.5 x 1.25 x 2.25mm Head Diam, 500pcs	<b>H0680</b>	<b>38.14</b>	<b>34.67</b>
✓ 9.5 x 1.65 x 3.3mm Head Diam, 100pcs	<b>H0681</b>	<b>12.14</b>	<b>11.04</b>
✓ 9.5 x 1.65 x 3.3mm Head Diam, 500pcs	<b>H0682</b>	<b>46.47</b>	<b>42.25</b>
✓ 9.5 x 2.1 x 4.0mm Head Diam, 100pcs	<b>H0683</b>	<b>12.90</b>	<b>11.73</b>
✓ 9.5 x 2.1 x 4.0mm Head Diam, 500pcs	<b>H0684</b>	<b>51.60</b>	<b>46.91</b>
✓ 12 x 1.0 x 2.2mm Head Diam, 100pcs	<b>H0687</b>	<b>8.42</b>	<b>7.65</b>
✓ 12 x 1.0 x 2.2mm Head Diam, 500pcs	<b>H0688</b>	<b>33.68</b>	<b>30.62</b>
✓ 12 x 1.6 x 3.3mm Head Diam., 100pcs	<b>H0689</b>	<b>11.20</b>	<b>10.18</b>
✓ 12 x 1.6 x 3.3mm Head Diam., 500pcs	<b>H0690</b>	<b>33.58</b>	<b>30.52</b>
✓ 12 x 1.0 x 1.6mm Head Diam, 100pcs	<b>H0691</b>	<b>8.42</b>	<b>7.65</b>
✓ 12 x 1.0 x 1.6mm Head Diam, 500pcs	<b>H0692</b>	<b>33.68</b>	<b>30.62</b>
✓ 12 x 1.25 x 2.25mm Head Diam, 100pcs	<b>H0693</b>	<b>8.95</b>	<b>8.14</b>





✓ 12 x 1.25 x 2.25mm Head Diam, 500pcs	<b>H0694</b>	<b>35.80</b>	<b>32.55</b>
✓ 12 x 1.15 x 3.3mm Head Diam, 100pcs	<b>H0695</b>	<b>9.65</b>	<b>8.77</b>
✓ 12 x 1.15 x 3.3mm Head Diam, 500pcs	<b>H0696</b>	<b>38.60</b>	<b>35.09</b>
✓ 12 x 1.25 x 2.25mm Head Diam, 100pcs	<b>H0697</b>	<b>11.04</b>	<b>10.04</b>
✓ 12 x 1.25 x 2.25mm Head Diam, 500pcs	<b>H0698</b>	<b>44.16</b>	<b>40.15</b>
✓ 16 x 1.25 x 2.25mm Head Diam, 100pcs	<b>H0701</b>	<b>12.00</b>	<b>10.91</b>
✓ 16 x 1.25 x 2.25mm Head Diam, 500pcs	<b>H0702</b>	<b>48.00</b>	<b>43.64</b>
✓ 16 x 1.6 x 3.3mm Head Diam., 100pcs	<b>H0705</b>	<b>13.30</b>	<b>12.09</b>
✓ 16 x 1.6 x 3.3mm Head Diam., 500pcs	<b>H0706</b>	<b>39.85</b>	<b>36.23</b>
✓ 16 x 2.0 x 4.3mm Head Diam., 100pcs	<b>H0707</b>	<b>17.92</b>	<b>16.29</b>
✓ 16 x 2.0 x 4.3mm Head Diam., 500pcs	<b>H0708</b>	<b>67.08</b>	<b>60.98</b>
✓ 19 x 1.00 x 2.25mm Head Diam, 100pcs	<b>H0709</b>	<b>11.88</b>	<b>10.80</b>
✓ 19 x 1.00 x 2.25mm Head Diam, 500pcs	<b>H0710</b>	<b>47.52</b>	<b>43.20</b>
✓ 19 x 1.25 x 2.25mm Head Diam, 100pcs	<b>H0711</b>	<b>19.62</b>	<b>17.84</b>
✓ 19 x 1.25 x 2.25mm Head Diam, 500pcs	<b>H0712</b>	<b>78.48</b>	<b>71.35</b>
✓ 19 x 1.65 x 3.3mm Head Diam,100pcs	<b>H0713</b>	<b>23.28</b>	<b>21.16</b>
✓ 19 x 1.65 x 3.3mm Head Diam, 500pcs	<b>H0714</b>	<b>93.12</b>	<b>84.65</b>
✓ 19 x 2.0 x 4.3mm Head Diam., 100pcs	<b>H0715</b>	<b>16.45</b>	<b>14.95</b>
✓ 19 x 2.0 x 4.3mm Head Diam., 500pcs	<b>H0716</b>	<b>65.80</b>	<b>59.82</b>
✓ 19 x 2.0 x 4.3mm Head Diam., 100pcs	<b>H0717</b>	<b>17.15</b>	<b>15.59</b>
✓ 19 x 2.0 x 4.3mm Head Diam., 500pcs	<b>H0718</b>	<b>68.60</b>	<b>62.36</b>
✓ 19 x 1.5 x 3.3mm Head Diam, 100pcs	<b>H0719</b>	<b>23.28</b>	<b>21.16</b>
✓ 19 x 1.5 x 3.3mm Head Diam, 500pcs	<b>H0720</b>	<b>93.12</b>	<b>84.65</b>
✓ 25 x 2.0 x 4.3mm Head Diam., 500pcs	<b>H0728</b>	<b>112.00</b>	<b>101.82</b>
✓ 32 x 1.6 x 3.3mm Head Diam., 100pcs	<b>H0731</b>	<b>23.76</b>	<b>21.60</b>
✓ 32 x 1.6 x 3.3mm Head Diam., 500pcs	<b>H0732</b>	<b>79.26</b>	<b>72.06</b>
✓ 32 x 2.0 x 3.3mm Head Diam., 100pcs	<b>H0733</b>	<b>28.56</b>	<b>25.96</b>
✓ 32 x 2.0 x 3.3mm Head Diam., 500pcs	<b>H0734</b>	<b>95.00</b>	<b>86.36</b>

### STEEL PANEL PINS - ZINC PLATED

These pins were once the standard in quality and manufacture. British made and with a self countersinking head

✓ 15 x 1.00mm, 50gms (Approx. 465 pins)	<b>H9404</b>	<b>18.74</b>	<b>17.04</b>
✓ 15 x 1.00mm, 100gms (Approx. 935 pins)	<b>H9405</b>	<b>32.98</b>	<b>29.98</b>
✓ 15 x 1.00mm, 250gms (Approx. 2340 pins)	<b>H9406</b>	<b>74.96</b>	<b>68.15</b>
✓ 15 x 1.00mm, 500gms (Approx. 4680 pins)	<b>H9407</b>	<b>134.93</b>	<b>122.66</b>
✓ 20 x 1.00mm, 50gms (Approx. 355 pins)	<b>H9409</b>	<b>17.81</b>	<b>16.19</b>
✓ 20 x 1.00mm, 100gms (Approx. 710 pins)	<b>H9410</b>	<b>31.35</b>	<b>28.50</b>
✓ 20 x 1.00mm, 250gms (Approx. 1760 pins)	<b>H9411</b>	<b>71.24</b>	<b>64.76</b>
✓ 20 x 1.00mm, 500gms (Approx. 3530 pins)	<b>H9412</b>	<b>128.23</b>	<b>116.57</b>
✓ 25 x 1.25mm, 50gms (Approx. 210 pins)	<b>H9434</b>	<b>16.28</b>	<b>14.80</b>
✓ 25 x 1.25mm, 100gms (Approx. 405 pins)	<b>H9435</b>	<b>28.65</b>	<b>26.05</b>
✓ 25 x 1.25mm, 250gms (Approx. 1010 pins)	<b>H9436</b>	<b>65.12</b>	<b>59.20</b>
✓ 25 x 1.25mm, 500gms, (Approx. 2020 pins)	<b>H9437</b>	<b>117.22</b>	<b>106.56</b>
✓ 30 x 1.40mm, 50gms, (Approx. 130 pins)	<b>H9449</b>	<b>15.86</b>	<b>14.42</b>
✓ 30 x 1.40mm, 100gms, (Approx. 260 pins)	<b>H9450</b>	<b>27.91</b>	<b>25.38</b>
✓ 30 x 1.40mm, 250gms, (Approx. 650 pins)	<b>H9451</b>	<b>63.44</b>	<b>57.67</b>
✓ 30 x 1.40mm, 500gms, (Approx.1300 pins)	<b>H9452</b>	<b>114.19</b>	<b>103.81</b>



### STAINLESS STEEL PANEL PINS

✓ 20 x 1.60mm, 50gms, (Approx. 148 pins)	<b>H9459</b>	<b>29.45</b>	<b>26.77</b>
✓ 20 x 1.60mm, 100gms, (Approx. 298 pins)	<b>H9460</b>	<b>51.83</b>	<b>47.12</b>
✓ 20 x 1.60mm, 250gms, (Approx. 745 pins)	<b>H9461</b>	<b>117.80</b>	<b>107.09</b>
✓ 20 x 1.60mm, 500gms, (Approx 1490 pins)	<b>H9462</b>	<b>212.04</b>	<b>192.76</b>
✓ 25 x 1.60mm, 50gms, (Approx. 122 pins)	<b>H9464</b>	<b>29.21</b>	<b>26.55</b>
✓ 25 x 1.60mm, 100gms, (Approx. 245 pins)	<b>H9465</b>	<b>51.41</b>	<b>46.74</b>
✓ 25 x 1.60mm, 250gms, (Approx. 612 pins)	<b>H9466</b>	<b>116.84</b>	<b>106.22</b>
✓ 25 x 1.60mm, 500gms, (Approx. 1225 pins)	<b>H9467</b>	<b>210.31</b>	<b>191.19</b>
✓ 30 x 1.60mm, 50gms, (Approx.105 pins)	<b>H9469</b>	<b>34.52</b>	<b>31.38</b>
✓ 30 x 1.60mm, 100gms, (Approx.209 pins)	<b>H9470</b>	<b>60.75</b>	<b>55.22</b>
✓ 30 x 1.60mm, 250gms, (Approx. 522 pins)	<b>H9471</b>	<b>138.06</b>	<b>125.51</b>
✓ 30 x 1.60mm, 500gms, (Approx. 1045 pins)	<b>H9472</b>	<b>248.51</b>	<b>225.92</b>





**SOLID BRASS PANEL PINS**

- ✓ 15 x 1.40mm, 50gms, (Approx. 240 pins)
- ✓ 15 x 1.40mm, 100gms, (Approx. 486 pins)
- ✓ 15 x 1.40mm, 250gms, (Approx. 1215 pins)
- ✓ 15 x 1.40mm, 500gms, (Approx. 2430 pins)
- ✓ 20 x 1.40mm, 50gms, (Approx. 180 pins)
- ✓ 20 x 1.40mm, 100gms, (Approx. 360 pins)
- ✓ 20 x 1.40mm, 250gms, (Approx. 900 pins)
- ✓ 20 x 1.40mm, 500gms, (Approx. 1800 pins)
- ✓ 25 x 1.60mm, 50gms, (Approx. 113pins)
- ✓ 25 x 1.60mm, 100gms, (Approx. 226 pins)
- ✓ 25 x 1.60mm, 250gms, (Approx. 565 pins)
- ✓ 25 x 1.60mm, 500gms, (Approx. 1130 pins)
- ✓ 30 x 1.60mm, 50gms, (Approx. 95 pins)
- ✓ 30 x 1.60mm, 100gms, (Approx. 193 pins)
- ✓ 30 x 1.60mm, 250gms, (Approx. 482 pins)
- ✓ 30 x 1.60mm, 500gms, (Approx. 965 pins)
- ✓ 40 x 1.60mm, 50gms, (Approx, 50 pins)
- ✓ 40 x 1.60mm, 100gms, (Approx, 100pins)
- ✓ 40 x 1.60mm, 250gms, (Approx. 247 pins)
- ✓ 40 x 1.60mm, 500gms, (Approx. 495 pins)

H9483	32.24	29.31
H9484	56.74	51.58
H9485	128.96	117.24
H9486	232.13	211.03
H9493	31.76	28.87
H9494	55.90	50.82
H9495	127.04	115.49
H9496	228.67	207.88
H9498	31.40	28.55
H9499	55.26	50.24
H9500	125.60	114.18
H9501	226.08	205.53
H9503	31.40	28.55
H9504	55.26	50.24
H9505	125.60	114.18
H9506	226.08	205.53
H9508	31.40	28.55
H9509	55.26	50.24
H9510	125.60	114.18
H9511	226.08	205.53



**COPPER CUT TACKS**

- ✓ Tacks, Copper, Cut, 10mm, 100gms, Approx. 236 tacks
- ✓ Tacks, Copper, Cut, 10mm, 250gms, Approx. 590 tacks
- ✓ Tacks, Copper, Cut, 10mm, 500gms, Approx. 1180 tacks
- ✓ Tacks, Copper, Cut, 13mm, 100gms, Approx. 203 tacks
- ✓ Tacks, Copper, Cut, 13mm, 250gms, Approx. 507 tacks
- ✓ Tacks, Copper, Cut, 13mm, 500gms, Approx. 1015 tacks
- ✓ Tacks, Copper, Cut, 15mm, 100gms, Approx. 190 tacks
- ✓ Tacks, Copper, Cut, 15mm, 250gms, Approx. 475 tacks
- ✓ Tacks, Copper, Cut, 15mm, 500gms, Approx. 950 tacks
- ✓ Tacks, Copper, Cut, 20mm, 100gms, Approx. 150 tacks
- ✓ Tacks, Copper, Cut, 20mm, 250gms, Approx. 375 tacks
- ✓ Tacks, Copper, Cut, 20mm, 500gms, Approx. 750 tacks
- ✓ Tacks, Copper, Cut, 25mm, 100gms, Approx. 124 tacks
- ✓ Tacks, Copper, Cut, 25mm, 250gms, Approx. 310 tacks
- ✓ Tacks, Copper, Cut, 25mm, 500gms, Approx. 620 tacks

H9544	18.15	16.50
H9545	43.56	39.60
H9546	81.68	74.25
H9547	19.90	18.09
H9548	47.76	43.42
H9549	89.55	81.41
H9550	22.13	20.12
H9551	53.11	48.28
H9552	99.59	90.53
H9553	24.35	22.14
H9554	58.44	53.13
H9555	109.58	99.61
H9556	26.12	23.75
H9557	62.69	56.99
H9558	117.54	106.85



**SOLID BRASS COUNTERSUNK CUP WASHERS**

- ✓ for #6 Gauge Screws, 12 pc
- ✓ for #8 Gauge Screws, 12 pcs
- ✓ for #10 Gauge Screws, 12 pcs
- ✓ for #12 Gauge Screws, 12 pcs

H1050	13.15	11.95
H1051	15.83	14.39
H1052	18.91	17.19
H1053	21.15	19.23



**SOLID BRASS SURFACE CUP WASHERS - FOR RAISED OR COUNTERSUNK HEAD SCREWS - 100 PCS**

- ✓ for #4 gauge Screws
- ✓ for #6 gauge Screws
- ✓ for #8 gauge Screws
- ✓ for #10 gauge Screws
- ✓ for #12 gauge Screws

H1014	14.40	13.09
H1015	15.30	13.91
H1016	17.10	15.55
H1017	29.25	26.59
H1018	32.85	29.87



**BOX AND CABINET HARDWARE**

**PIVOT HINGES - OFFSET - BRASS**

- ✓ 33.34mm x 7.94mm leaf, Pair, #L-23
- ✓ 44.45mm x 9.53mm leaf, Pair, #L-37
- ✓ Long Knuckle, 44.45mm x 9.53mm leaf, Pair, #L-39
- ✓ Brass, 50.80mm x 12.7mm leaf, Pair, #L-87

H7060	54.97	49.97
H7062	65.88	59.89
H7064	70.31	63.92
H7066	92.36	83.96



**H7090**

**PIVOT HINGES - INLINE - BRASS**

- ✓ 33.34mm x 7.94mm leaf, Pair, #ST-12
- ✓ 44.45mm x 9.53mm leaf, Pair, #ST-18
- ✓ 50.80mm x12.7mm leaf, Pair, #ST-80

H7090	37.59	34.17
H7092	53.36	48.51
H7094	72.55	65.95



**BUTT HINGES - BRASS**

✓ Lift Off, 63.50mm x 44.45mm, LEFT HAND, Pair	H7120	109.89	99.90
✓ Lift Off, 63.50mm x 44.45mm, RIGHT HAND, Pair	H7121	109.89	99.90
✓ Triple Knuckle with Finial, 63.50mm x 44.45mm, Pair	H7122	139.02	126.38
✓ Full Mortise, 63.50mm x 46.04mm, Pair	H7123	51.52	46.84
✓ With Finial, Full Mortise, 63.50mm x 46.04mm, Pair	H7125	61.44	55.86
✓ Full Mortise, 63.50mm x 20.64mm, Pair	H7127	60.42	54.93
✓ With Finial, Full Mortise, 31.75mm x 20.64mm, Pair	H7129	65.88	59.89
✓ Full Mortise, 31.75mm x 26.99mm, Pair	H7131	66.90	60.82
✓ With Finial, Full Mortise, 31.75mm x 31.75mm, Pair	H7133	74.78	67.98
✓ Full Mortise, 50.8mm x 38.10mm, Pair	H7135	105.47	95.88
✓ Butt with Finial, Full Mortise, 50.8mm x 38.10mm, Pair	H7137	111.94	101.77

H7125



H7150



H7180



**BOX FEET - BRASS**

✓ 12.7mm diam., Proj. 9.53 mm, Pin diam 7.94 mm, 4 pcs	H7150	27.47	24.97
✓ 19.05mm diam., Proj. 14.29 mm, Pin diam. 12.70 mm, 4 pc	H7152	60.42	54.93
✓ 25.40mm diam., Proj. 3.18 mm, Pin diam. 15.88 mm	H7154	40.61	36.92
✓ 12.70mm diam., Proj. 23.81mm, Pin diam. 9.53 mm, 4 pcs	H7156	32.92	29.93
✓ 22.23 x 22.23mm, Thickness 6mm , 4 pcs	H7158	49.52	45.01

**BOX HINGES - BRASS - 95 deg STAYED - PAIRS - WITH SCREWS**

✓ Butt, 19.05mm long x 12.70mm wide, Pair, #JB-101	H7180	53.75	48.87
✓ Butt, 31.75mm long x 12.70mm wide, Pair, #JB-102	H7182	58.19	52.90
✓ Butt, 31.75mm long x 15.88mm wide, Pair, #JB-103	H7184	62.66	56.96
✓ Butt, 50.80mm long x 22.23mm wide, Pair, #JB-107	H7186	109.71	99.74
✓ Butt, 31.75mm long x 25.40mm wide, Pair, #JB-804	H7188	69.10	62.82
✓ Side Rail, 34.93mm x 7.94mm, Pair, #SR-638	H7192	75.37	68.52
✓ Side Rail, 50.80mm x 12.70mm, Pair, #SR-680	H7193	71.14	64.67

H7192

H7194



**SIDE RAIL - 180 DEGREE OPENING**

✓ Side Rail, 34.93mm x 7.94mm, #SR-301	H7194	112.27	102.07
--	-------	--------	--------

H7220

H7222



**BOX HOOKS - BRASS**

✓ 9.53mm diam., Proj. 23.81 mm, Pin diam.4.76mm, Ea.	H7220	10.91	9.92
✓ 41.28mm diam., Proj. 28.58 mm, Pin diam. 9.53mm, Ea.	H7222	81.42	74.02

H7240

H7260

✓ Bracket, Hanging, Brass, 38.10mm x 15.88mm, Pair	H7240	27.82	25.29
--	-------	-------	-------



**BOX KNOBS - SOLID BRASS**

✓ 7.94mm diam., 7.94mm Proj., with 4.76mm pin, Each	H7260	11.76	10.69
✓ 11.11mm diam., 9.53mm Proj., with 4.76mm pin, Each	H7262	12.70	11.54
✓ 14.29mm diam., 12.70mm Proj., with 7.94mm pin, Each	H7264	14.60	13.28
✓ 17.46mm diam., 15.88mm Proj., with 9.53mm pin, Each	H7266	16.48	14.98

**BOX LID STAYS - BRASS - PRICE FOR EACH**

✓ 73.03 x 6.35mm Body,12.70mm deep, Anchor pin 6.35mm	H7280	49.52	45.01
✓ 109.54x9.53mm Body, 19.05mm deep, Anchor pin 11.11mm	H7281	86.68	78.80

H7280

**BOX QUADRANT HINGES - BRASS**

✓ Stayed at 95 degrees, each leaf 25.40mm x 25.40mm, Pair	H7290	96.60	87.82
✓ Stayed at 95 degrees, each leaf 38.10mm x 44.45mm, Pair	H7291	142.86	129.88



**SHELF PINS & SOCKETS - BRASS**

✓ Socket, 3/8 in. (9.53mm) dia.x 7/16 in.(11.11mm), per Doz.	H7310	48.30	43.91
✓ Pin, 1/4 inch (6.35mm) diam.x3/8 inch (9.53mm), per 4	H7312	29.70	27.00

H7290

**LATCHES & CATCHES - BRASS - EACH**

✓ Latch, Mortise, 34.93mm x 12.7mm x 9.53mm thick	H7350	76.20	69.27
✓ Latch, Mortise, 50.80mm x 19.05mm x 9.53mm thick	H7330	72.55	65.95
✓ Catch, Ball, with Keeper, 6.35mm diam.	H7332	19.81	18.01
✓ Catch, Ball, with Keeper, 8.73mm diam.	H7334	22.01	20.01
✓ Catch, Ball, with Keeper, 11.11mm diam.	H7336	26.29	23.90



### BOX HARDWARE FITTING TEMPLATES

- ✓ Template, Each, #TJ-101
- ✓ Template, Each, #TJ-102
- ✓ Template, Each, #TJ-103
- ✓ for HD-638 Quadrant Hinge, Each, #TJ-638
- ✓ for HD-680 Quadrant Hinge, Each, #TJ-680
- ✓ for Series HD-702 Box Feet, Each, #TJ-702
- ✓ for Series JB-804 Series, Each, #TJ-804
- ✓ for Series JB-828 Series Latches, Each, #TJ-828

H7420	77.48	70.43
H7421	77.48	70.43
H7422	77.48	70.43
H7423	77.48	70.43
H7424	77.48	70.43
H7425	77.48	70.43
H7426	77.48	70.43
H7427	77.48	70.43

H7330 & H7350



### ESCUTCHEON PINS- SOLID BRASS NICKEL PLATED

- ✓ 6.35 x 1.0 x 1.6mm Head Diam, 100pcs
- ✓ 6.35 x 1.0 x 1.6mm Head Diam, 500pcs
- ✓ 6.35 x 1.80 x 2.6mm Head Diam, 100pcs
- ✓ 6.35 x 1.80 x 2.6mm Head Diam, 500pcs
- ✓ 9.8 x 1.00 x 2.4mm Head Diam, 100pcs
- ✓ 9.8 x 1.00 x 2.4mm Head Diam, 500pcs
- ✓ 9.8 x 1.25 x 2.2mm Head Diam, 100pcs
- ✓ 9.8 x 1.25 x 2.2mm Head Diam, 500pcs
- ✓ 12.5 x 1.25 x 2.2mm Head Diam, 100 pcs
- ✓ 12.5 x 1.25 x 2.2mm Head Diam, 500 pcs

H0650	0.00	0.00
H0651	0.00	0.00
H0652	0.00	0.00
H0653	0.00	0.00
H0654	0.00	0.00
H0655	0.00	0.00
H0656	0.00	0.00
H0657	0.00	0.00
H0658	0.00	0.00
H0659	0.00	0.00



### SHOJI PAPER - JAPANESE MADE , 46 GSM

- ✓ FIBRE Pattern, 1 roll, 940mm x 7.2metres,, #715997
- ✓ BAMBOO Print, 1 roll, 940mm x 7.2metres,, #716107
- ✓ PLAIN, 1 roll, 280mm x 18.8metres,, #716100
- ✓ PLAIN, 1 roll, 940mm x 7.2metres,, #716103
- ✓ Glue, for Shoji Paper, 150ml, #715990

C0569	36.78	33.44
C0571	38.37	34.88
C0572	26.20	23.82
C0573	36.78	33.44
C0366	11.24	10.22



### BALL-POINT PEN MAKING ON THE LATHE

These ball point pen mechanisms allow turned pens to be made on the lathe. A mandrell to hold the pen sections is strongly advised and a pen mill to square the ends on the sections prior to turning helps produce a high quality result. The brass tubes require a brad point 7mm drill

- ✓ Pen Sets, Ball Point Twist, Gold Clip, pkt 5
- ✓ Pen Sets, Ball Point Twist, Plain Black Clip, pkt 5
- ✓ Pen Sets, Ball Point Twist, Australia Black Clip, pkt 5
- ✓ Tube, 7mm Brass, Spare, 6 pcs
- ✓ Mandrell, Pen, for dual 7mm Core tubes, #2 Morse Taper
- ✓ Mill, Pen, for 7mm bore tube
- ✓ Drill, Brad Point, 7mm, Stubai

ITEM	RRP	Ex GST
P0003	24.95	22.68
P0001	24.95	22.68
P0005	24.95	22.68
P0029	3.20	2.91
A0295	31.50	28.64
A0299	54.00	49.09
T3534	3.77	3.43

A0299



P0003 - P0005



A0295



T3534



### SALT & PEPPER MILL GRINDERS ON THE LATHE

Salt and pepper mills are a popular project for wood turners. The ready availability of mechanisms - metal for pepper and hard plastic for salt - requires only the mill body and top to be made. Any wood can be used with the possible exception of highly scented or resinous woods which may tend to taint the contents.

- ✓ Mill, Salt, Kit, Silver Knob, 5 inch, #S1005
- ✓ Mill, Salt, Kit, Silver Knob, 7 inch, #S1010
- ✓ Mill, Salt, Kit, Silver Knob, 8 inch, #S1015
- ✓ Mill, Salt, Kit, Silver Knob, 10 inch, #S1020
- ✓ Mill, Salt, Kit, Silver Knob, 12 inch, #S1030
- ✓ Mill, Salt, Kit, Silver Knob, 15 inch, #S1040
- ✓ Mill, Salt, Kit, Silver Knob, 17 inch, #S1050

ITEM	RRP	Ex GST
P0720	15.18	13.80
P0721	15.32	13.93
P0722	15.57	14.16
P0723	15.94	14.49
P0724	16.45	14.95
P0725	17.20	15.64
P0726	17.71	16.10

- ✓ Mill, Salt, Kit, Brass Knob, 5 inch, #S1005B
- ✓ Mill, Salt, Kit, Brass Knob, 7 inch, #S1010B
- ✓ Mill, Salt, Kit, Brass Knob, 8 inch, #S1015B
- ✓ Mill, Salt, Kit, Brass Knob, 10 inch, #S1020B
- ✓ Mill, Salt, Kit, Brass Knob, 12 inch, #S1030B
- ✓ Mill, Salt, Kit, Brass Knob, 15 inch, #S1040B
- ✓ Mill, Salt, Kit, Brass Knob, 17 inch, #S1050B

P0728	14.42	13.11
P0729	15.32	13.93
P0730	14.81	13.47
P0731	15.18	13.80
P0732	15.69	14.26
P0733	16.19	14.72
P0734	16.45	14.95

- ✓ Mill, Pepper, Kit, Black Knob, 5 inch, #S2005
- ✓ Mill, Pepper, Kit, Black Knob, 7 inch, #S2010
- ✓ Mill, Pepper, Kit, Black Knob, 8 inch, #S2015
- ✓ Mill, Pepper, Kit, Black Knob, 10 inch, #S2020
- ✓ Mill, Pepper, Kit, Black Knob, 12 inch, #S2030
- ✓ Mill, Pepper, Kit, Black Knob, 15 inch, #S2040
- ✓ Mill, Pepper, Kit, Black Knob, 17 inch, #S2050

P0736	15.18	13.80
P0737	15.32	13.93
P0738	15.57	14.16
P0739	15.94	14.49
P0740	16.45	14.95
P0741	17.20	15.64
P0742	17.71	16.10

- ✓ Mill, Pepper, Kit, Brass Knob, 5 inch, #S2005B
- ✓ Mill, Pepper, Kit, Brass Knob, 7 inch, #S2010B
- ✓ Mill, Pepper, Kit, Brass Knob, 8 inch, #S2015B
- ✓ Mill, Pepper, Kit, Brass Knob, 10 inch, #S2020B
- ✓ Mill, Pepper, Kit, Brass Knob, 12 inch, #S2030B
- ✓ Mill, Pepper, Kit, Brass Knob, 15 inch, #S2040B
- ✓ Mill, Pepper, Kit, Brass Knob, 17 inch, #S2050B

P0744	14.42	13.11
P0745	15.32	13.93
P0746	14.81	13.47
P0747	15.18	13.80
P0748	15.69	14.26
P0749	16.19	14.72
P0750	16.45	14.95

### Pepper Kits



### Salt Kits



### PEPPER & SALT MILL MAKING EQUIPMENT

- ✓ Borer, Universal, 35mm, Stubai
- ✓ Drill, Brad Point, 6mm, Stubai

ITEM	RRP	Ex GST
T0339	40.28	36.62
T3533	3.65	3.32

### TOY WHEEL CUTTERS

- ✓ Cutter, Toy Wheel, 40mm TWC40 1/2
- ✓ Cutter, Toy Wheel, 50mm TWC 50 1/2
- ✓ Cutter, Toy Wheel, 60mm TWC 60 1/2

T0200	108.65	98.77
T0202	115.50	105.00
T0201	115.50	105.00

### T3533



### INSERT & CONCEALED MECHANISM QUARTZ CLOCKS

Concealed mechanism clocks can be recessed into the rear side of a piece of wood and hands fitted to the shank which protrudes through the body. There are numerous hand patterns to suit concealed mechanism clocks and numerals in Arabic & Roman styles. Purchase price of items P4007, P4008 & P4009 includes a set of hands and numerals of choice.

Insert clocks can be pressed into a machined or drilled front recess. Batteries are not supplied.

### CONCEALED QUARTZ MECHANISMS

- ✓ Clock, with numerals & hands, 8mm short shaft
- ✓ Clock, with numerals & hands, 15mm medium shaft
- ✓ Clock, with numerals & hands, 21mm long shaft

ITEM	RRP	Ex GST
P4007	15.35	13.95
P4008	15.35	13.95
P4009	15.35	13.95

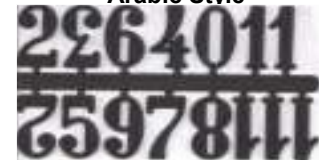


### CLOCK FACE NUMERALS

- ✓ ARABIC GOLD, 10mm (3/8inch)
- ✓ ARABIC GOLD, 16mm (5/8inch)
- ✓ ARABIC GOLD, 19mm (3/4inch)
- ✓ ARABIC GOLD, 25mm (1inch)

ITEM	RRP	Ex GST
P4150	4.71	4.28
P4151	4.89	4.44
P4152	5.42	4.93
P4153	5.77	5.25

### Arabic Style



- ✓ ARABIC BLACK, 10mm (3/8 inch)
- ✓ ARABIC BLACK, 16mm (5/8inch)
- ✓ ARABIC BLACK, 19mm (3/4 inch)
- ✓ ARABIC BLACK, 25mm (1 inch)

P0241	4.71	4.28
P4155	4.89	4.44
P0247	5.42	4.93
P0249	5.77	5.25

### Roman Style



- ✓ ROMAN GOLD, 10mm (3/8 inch)
- ✓ ROMAN GOLD, 16mm (5/8inch)
- ✓ ROMAN GOLD, 19mm (3/4inch)
- ✓ ROMAN GOLD, 25mm (1 inch)

P0231	4.71	4.28
P4157	4.89	4.44
P4158	5.42	4.93
P0239	5.77	5.25



## CLOCK HANDS FOR CONCEALED QUARTZ MOVEMENTS

For pictures of alternative clock hand patterns search using the Item Code at [www.thewoodworks.com.au](http://www.thewoodworks.com.au)

### for 50mm to 80mm DIALS

- ✓ for 50mm to 80mm DIALS, 35mm, GOLD, Type B
- ✓ for 50mm to 80mm DIALS, 35mm, Black, Type B
- ✓ for 50mm to 80mm DIALS, 35mm, Gold, Type C
- ✓ for 50mm to 80mm DIALS, 35mm, Black, Type C
- ✓ for 50mm to 80mm DIALS, 38mm, Gold, Type D
- ✓ for 50mm to 80mm DIALS, 38mm, Gold, Type E
- ✓ for 50mm to 80mm DIALS, 38mm, Black, Type E

ITEM	RRP	Ex GST
P4041	2.90	2.64
P4042	2.90	2.64
P4043	2.90	2.64
P4044	2.90	2.64
P4045	2.90	2.64
P4046	2.90	2.64
P4047	2.90	2.64

### for 90mm to 125mm DIALS

- ✓ for 90mm to 125mm DIALS, 44mm, Gold, Type A
- ✓ for 90mm to 125mm DIALS, 48mm, Black, Type B
- ✓ for 90mm to 125mm DIALS, 52mm, Gold, Type C
- ✓ for 90mm to 125mm DIALS, 52mm, Gold, Type D
- ✓ for 90mm to 125mm DIALS, 54mm, Black, Type E
- ✓ for 90mm to 125mm DIALS, 57mm, Gold, Type F
- ✓ for 90mm to 125mm DIALS, 57mm, Black, Type F
- ✓ for 90mm to 125mm DIALS, 64mm, Gold, Type G
- ✓ for 90mm to 125mm DIALS, 64mm, Black, Type G

P4060	2.95	2.68
P4062	2.95	2.68
P4063	2.95	2.68
P4065	2.95	2.68
P4066	2.95	2.68
P4067	2.95	2.68
P4068	2.95	2.68
P4069	2.95	2.68
P4070	2.95	2.68

### for 150mm to 210mm DIALS

- ✓ for 150mm to 210mm DIALS, 76mm, Gold, Type A
- ✓ for 150mm to 210mm DIALS, 76mm, Black, Type A
- ✓ for 150mm to 210mm DIALS, 79mm, Gold, Type B
- ✓ for 150mm to 210mm DIALS, 79mm, Black, Type B
- ✓ for 150mm to 210mm DIALS, 86mm, Black, Type C
- ✓ for 150mm to 210mm DIALS, 89mm, Gold, Type D
- ✓ for 150mm to 210mm DIALS, 89mm, Black, Type D
- ✓ for 150mm to 210mm DIALS, 103mm, Black, Type E
- ✓ for 150mm to 210mm DIALS, 105mm, Gold, Type F
- ✓ for 150mm to 210mm DIALS, 105mm, Black, Type F

P4080	3.35	3.05
P4081	3.35	3.05
P4082	3.35	3.05
P4083	3.35	3.05
P4084	3.35	3.05
P4085	3.35	3.05
P4086	3.35	3.05
P4087	3.35	3.05
P4088	3.35	3.05
P4089	3.35	3.05

### SECOND HANDS

- ✓ for Quartz Clock Movement, 61mm, Gold, Type G
- ✓ for Quartz Clock Movement, 61mm, Black, Type G
- ✓ for Quartz Clock Movement, 61mm, Red, Type G

P4110	2.70	2.45
P4111	2.70	2.45
P4112	2.70	2.45

### INSERT CLOCK MECHANISMS / MOVEMENTS

- ✓ 36mm diameter, GOLD ARABIC
- ✓ 36mm diameter, GOLD ROMAN
- ✓ 36mm diameter, WHITE ARABIC
- ✓ 36mm diameter, WHITE ROMAN
- ✓ 36mm diameter, BLACK ARABIC
- ✓ 36mm diameter, BLACK ROMAN
- ✓ 36mm diameter, CREAM ARABIC
- ✓ 36mm diameter, CREAM ROMAN

P3000	23.98	21.80
P3001	23.98	21.80
P3002	23.98	21.80
P3003	23.98	21.80
P3004	23.98	21.80
P3005	23.98	21.80
P3006	23.98	21.80
P3007	23.98	21.80

- ✓ 50mm diameter, GOLD ROMAN
- ✓ 50mm diameter, WHITE ROMAN
- ✓ 50mm diameter, GOLD ARABIC
- ✓ 50mm diameter, WHITE ARABIC
- ✓ 50mm diameter, BLACK ROMAN

P3020	27.94	25.40
P3021	27.94	25.40
P3022	27.94	25.40
P3023	27.94	25.40
P3024	27.94	25.40

- ✓ 73mm diameter, GOLD ARABIC
- ✓ 73mm diameter, GOLD ROMAN
- ✓ 73mm diameter, WHITE FANCY ARABIC
- ✓ 73mm diameter, WHITE FANCY ROMAN
- ✓ 73mm diameter, IVORY FANCY ARABIC
- ✓ 73mm diameter, IVORY FANCY ROMAN

P3040	28.60	26.00
P3041	28.60	26.00
P3042	28.60	26.00
P3043	28.60	26.00
P3044	28.60	26.00
P3045	28.60	26.00

### Example hand set



P3020





✓ 90mm diameter, GOLD ARABIC	<b>P3060</b>	<b>28.60</b>	<b>26.00</b>
✓ 90mm diameter, GOLD ROMAN	<b>P3061</b>	<b>28.60</b>	<b>26.00</b>
✓ 90mm diameter, WHITE FANCY ARABIC	<b>P3062</b>	<b>28.60</b>	<b>26.00</b>
✓ 90mm diameter, WHITE FANCY ROMAN	<b>P3063</b>	<b>28.60</b>	<b>26.00</b>
✓ 90mm diameter, IVORY FANCY ARABIC	<b>P3064</b>	<b>28.60</b>	<b>26.00</b>
✓ 90mm diameter, IVORY FANCY ROMAN	<b>P3065</b>	<b>28.60</b>	<b>26.00</b>
✓ 90mm diameter, BLACK ROMAN	<b>P3066</b>	<b>28.60</b>	<b>26.00</b>

✓ 130mm diameter, IVORY FANCY ARABIC	<b>P3080</b>	<b>52.14</b>	<b>47.40</b>
✓ 130mm diameter, GOLD ROMAN	<b>P3081</b>	<b>52.14</b>	<b>47.40</b>
✓ 130mm diameter, GOLD ARABIC	<b>P3082</b>	<b>52.14</b>	<b>47.40</b>

✓ 160mm diameter, GOLD ROMAN	<b>P3090</b>	<b>59.07</b>	<b>53.70</b>
✓ 160mm diameter, IVORY FANCY ARABIC	<b>P3091</b>	<b>59.07</b>	<b>53.70</b>
✓ 160mm diameter, GOLD ARABIC	<b>P3092</b>	<b>59.07</b>	<b>53.70</b>

### PICTURE FRAME MAKING

✓ Joiner, Pushmaster Frame, Kit, #14730	<b>E0918</b>	<b>92.50</b>	<b>84.09</b>
---	--------------	--------------	--------------

Starter kit includes magnetic head V nail punch, a selection of V nails. pins and flexi points.

✓ V Nails, 7mm Hardwood, framing, pkt 400	<b>C0821</b>	<b>9.95</b>	<b>9.05</b>
✓ V Nails, 10mm Hardwood, framing, pkt 400	<b>C0822</b>	<b>10.95</b>	<b>9.95</b>
✓ V Nails, 15mm Hardwood, framing, pkt 400	<b>C0824</b>	<b>12.95</b>	<b>11.77</b>

✓ Points, Flexi Mounting, framing, Bag of 290	<b>C0831</b>	<b>5.50</b>	<b>5.00</b>
---	--------------	-------------	-------------



**E0918**

## CONSUMABLES

### ADHESIVES

All our PVA range is made in Australia from quality fresh ingredients.

Our renowned "yellow" PVA has superior strength, good sandability and quick cure.

The crosslinking PVA has the strongest bond of them all.

The White Sandable is an ultra hard cure PVA which cures slowly & allows time for complex glue ups.

	ITEM	RRP	Ex GST
✓ White Crosslinking PVA, T3275, 500ml, (decant)	<b>C0097</b>	<b>15.08</b>	<b>13.71</b>
✓ White Crosslinking PVA, T3275, 1 Litre, (decant)	<b>C0098</b>	<b>21.31</b>	<b>19.38</b>
✓ White Crosslinking PVA, T3275, 5 litres, (decant)	<b>C0099</b>	<b>69.19</b>	<b>62.90</b>
✓ White Crosslinking PVA, T3275, 20 litres	<b>C0100</b>	<b>241.50</b>	<b>219.55</b>

✓ White Sandable PVA, Slow Cure, T3223, 500ml, (decant)	<b>C0103</b>	<b>15.32</b>	<b>13.92</b>
✓ White Sandable PVA, Slow Cure, T3223, 1 Litre, (decant)	<b>C0104</b>	<b>21.73</b>	<b>19.75</b>
✓ White Sandable PVA, Slow Cure, T3223, 5 Litres (decant)	<b>C0105</b>	<b>70.88</b>	<b>64.43</b>
✓ White Sandable PVA, Slow Cure, T3223, 20 Litres	<b>C0106</b>	<b>247.80</b>	<b>225.27</b>

✓ Water Resistant, Yellow PVA, T3250, 500ml, (decant)	<b>C0109</b>	<b>13.75</b>	<b>12.50</b>
✓ Water Resistant, Yellow PVA, T3250, 1 Litre, (decant)	<b>C0110</b>	<b>19.00</b>	<b>17.28</b>
✓ Water Resistant, Yellow PVA, T3250, 5 Litres (decant)	<b>C0111</b>	<b>59.74</b>	<b>54.31</b>
✓ Water Resistant, Yellow PVA, T3250, 20 Litres	<b>C0112</b>	<b>206.22</b>	<b>187.47</b>

### ANIMAL PROTEIN GLUE

✓ Adhesive, Hide, Pearl Joiners, 1kg	<b>C0081</b>	<b>40.93</b>	<b>37.21</b>
✓ Adhesive, Hide, Pearl Joiners, 2kg	<b>C0082</b>	<b>82.99</b>	<b>75.45</b>
✓ Adhesive, Hide, Pearl Joiners, 5kg	<b>C0083</b>	<b>205.14</b>	<b>186.49</b>

### BISCUITS

	ITEM	RRP	Ex GST
✓ Biscuits, #0, pkt 100	<b>C0400</b>	<b>9.90</b>	<b>9.00</b>
✓ Biscuits, #10, pkt 100	<b>C0401</b>	<b>9.90</b>	<b>9.00</b>
✓ Biscuits, #20, pkt 100	<b>C0402</b>	<b>9.90</b>	<b>9.00</b>
✓ Biscuits, #0, box 1000	<b>C0410</b>	<b>62.70</b>	<b>57.00</b>
✓ Biscuits, #10, box 1000	<b>C0411</b>	<b>65.00</b>	<b>59.09</b>
✓ Biscuits, #20, box 1000	<b>C0412</b>	<b>65.00</b>	<b>59.09</b>

### FLUTED DOWEL - TASMANIAN OAK - CUT TO LENGTH

✓ 6mm x 38mm, 72 grams (approx. 100 pcs)	<b>C0414</b>	<b>5.76</b>	<b>5.24</b>
✓ 6mm x 38mm, 720 gms (approx 1000 pcs)	<b>C0415</b>	<b>57.59</b>	<b>52.36</b>
✓ 8mm x 50mm, 158 grams (approx 100 pcs)	<b>C0418</b>	<b>7.46</b>	<b>6.78</b>
✓ 8mm x 50mm, 1580 grams (approx. 1000 pcs)	<b>C0419</b>	<b>74.56</b>	<b>67.78</b>
✓ 10mm x 50mm, 282 grams (approx. 100 pcs)	<b>C0422</b>	<b>10.63</b>	<b>9.67</b>
✓ 10mm x 50mm, 2820 gms (approx. 1000 pcs)	<b>C0423</b>	<b>106.33</b>	<b>96.67</b>
✓ 10mm x 62mm, 349 grams (approx 100 pcs)	<b>C0424</b>	<b>13.19</b>	<b>11.99</b>
✓ 10mm x 62mm, 3490 grams (approx 1000 pcs)	<b>C0425</b>	<b>131.86</b>	<b>119.88</b>

### PVA Glues



### Biscuits



### Dowels



### FESTO DOMINO SLIP TENONS

- ✓ 5 x 30mm, 1800 pcs (6 pks x 300), #493 296
- ✓ 6 x 40mm, 1140 pcs (6 pks x 190), #493 297
- ✓ 8 x 40mm, 780 pcs (6 pks x 130), #493 298
- ✓ 8 x 50mm, 600 pcs (6 pks x 100), #493 299
- ✓ 10 x 50mm, 510 pcs (6 pks x 85), #493 300

<b>C0394</b>	<b>184.00</b>	<b>167.27</b>
<b>C0395</b>	<b>184.00</b>	<b>167.27</b>
<b>C0396</b>	<b>184.00</b>	<b>167.27</b>
<b>C0397</b>	<b>184.00</b>	<b>167.27</b>
<b>C0398</b>	<b>184.00</b>	<b>167.27</b>

### PICTURE FRAMING V NAILS

- ✓ V Nails, 7mm Hardwood, framing, pkt 400
- ✓ V Nails, 10mm Hardwood, framing, pkt 400
- ✓ V Nails, 15mm Hardwood, framing, pkt 400

<b>C0821</b>	<b>9.95</b>	<b>9.05</b>
<b>C0822</b>	<b>10.95</b>	<b>9.95</b>
<b>C0824</b>	<b>12.95</b>	<b>11.77</b>

### PUTTY BRICKS - AUSTRALIAN MADE

Ideal for repair of dings & gaps. Boxes of 20 mixed colours, bags of 5 of any one colour & bags of 10 wood tones.

- ✓ 75 x 15 x 15mm, 10 WOOD TONE colours
- ✓ 75 x 15 x 15mm, 20 colours, #APB 1
- ✓ 5 pcs, 75 x 15 x 15mm, Pine, #WPB 20
- ✓ 5 pcs, 75 x 15 x 15mm, Baltic, #WPB 43

<b>C3945</b>	<b>29.98</b>	<b>27.25</b>
<b>C3946</b>	<b>49.95</b>	<b>45.41</b>
<b>C3958</b>	<b>14.95</b>	<b>13.59</b>
<b>C3981</b>	<b>14.95</b>	<b>13.59</b>

### SHELLAC

Cured shellac is safe enough to be rated as a food and offers a quick and safe method of achieving a quality finish on numerous projects. The best method of ensuring a long shelf life and superior finishes is to use DAA (Denatured Absolute Alcohol) Spirits.

It is important that the DAA can be appropriately stored. A standard concentrate is simply and quickly made up using a 1 to 4 ratio of dry shellac by weight to DAA spirits by liquid volume. e.g. 500gms mixed with 2 litres of DAA.

### DAA SPIRITS

- ✓ Spirits, DAA, 100% Industrial Alcohol, 1 litre
- ✓ Spirits, DAA, 100% Industrial Alcohol, 5 litres
- ✓ Spirits, DAA, 100% Industrial Alcohol, 20 litres

ITEM	RRP	Ex GST
<b>C2266</b>	<b>16.95</b>	<b>15.41</b>
<b>C2267</b>	<b>42.95</b>	<b>39.05</b>
<b>C2270</b>	<b>115.58</b>	<b>105.07</b>

### DRY SHELLACS

- ✓ Shellac, Orange Flake, Waxy, 125gms
- ✓ Shellac, Orange Flake, Waxy, 250gms
- ✓ Shellac, Orange Flake, Waxy, 500gms
- Shellac, Orange Flake, Waxy, 1 kilo
- Shellac, Orange Flake, Waxy, 5 kilo
- ✓ Shellac, Button, Waxy, 125gms
- ✓ Shellac, Button, Waxy, 250gms
- ✓ Shellac, Button, Waxy, 500gms
- ✓ Shellac, Button, Waxy, 1 kilo
- ✓ Shellac, Button, Waxy, 5 kilo
- ✓ Shellac, Garnet Flake, De-Waxed, 125gms
- ✓ Shellac, Garnet Flake, De-Waxed, 250gms
- ✓ Shellac, Garnet Flake, De-Waxed, 500gms
- ✓ Shellac, Garnet Flake, De-Waxed, 1 kilo
- ✓ Shellac, Garnet Flake, De-Waxed, 5 kilo
- ✓ Shellac, Ruby Flake, De-Waxed 125gms
- ✓ Shellac, Ruby Flake, De-Waxed 250gms
- ✓ Shellac, Ruby Flake, De-Waxed 500gms
- ✓ Shellac, Ruby Flake, De-Waxed 1 kilo
- ✓ Shellac, Ruby Flake, De-Waxed 5 kilo
- ✓ Shellac, Blonde, De-Waxed, Flake, 125gms
- ✓ Shellac, Blonde, De-Waxed, Flake, 250gms
- ✓ Shellac, Blonde, De-Waxed, Flake, 500gms
- ✓ Shellac, Blonde, De-Waxed, Flake, 1 kilo
- ✓ Shellac, Blonde, De-Waxed, Flake, 5 kilo
- ✓ Shellac, White, De-Waxed, Granulated, 125gms
- ✓ Shellac, White, De-Waxed, Granulated, 250gms
- ✓ Shellac, White, De-Waxed, Granulated, 500gms
- ✓ Shellac, White, De-Waxed, Granulated, 1 kilo
- ✓ Shellac, White, De-Waxed, Granulated, 5 kilo

<b>C2410</b>	<b>14.50</b>	<b>13.18</b>
<b>C2411</b>	<b>19.83</b>	<b>18.03</b>
<b>C2412</b>	<b>36.82</b>	<b>33.48</b>
<b>C2413</b>	<b>70.25</b>	<b>63.86</b>
<b>C2414</b>	<b>311.58</b>	<b>283.25</b>
<b>C2420</b>	<b>13.00</b>	<b>11.82</b>
<b>C2421</b>	<b>22.75</b>	<b>20.68</b>
<b>C2422</b>	<b>42.25</b>	<b>38.41</b>
<b>C2423</b>	<b>80.60</b>	<b>73.27</b>
<b>C2424</b>	<b>357.50</b>	<b>325.00</b>
<b>C2430</b>	<b>13.10</b>	<b>11.91</b>
<b>C2431</b>	<b>22.93</b>	<b>20.84</b>
<b>C2432</b>	<b>42.58</b>	<b>38.70</b>
<b>C2433</b>	<b>81.22</b>	<b>73.84</b>
<b>C2434</b>	<b>360.25</b>	<b>327.50</b>
<b>C2440</b>	<b>13.83</b>	<b>12.57</b>
<b>C2441</b>	<b>24.19</b>	<b>21.99</b>
<b>C2442</b>	<b>44.93</b>	<b>40.85</b>
<b>C2443</b>	<b>85.72</b>	<b>77.92</b>
<b>C2444</b>	<b>380.19</b>	<b>345.63</b>
<b>C2460</b>	<b>17.32</b>	<b>15.74</b>
<b>C2461</b>	<b>30.30</b>	<b>27.55</b>
<b>C2462</b>	<b>56.27</b>	<b>51.16</b>
<b>C2463</b>	<b>107.35</b>	<b>97.59</b>
<b>C2464</b>	<b>476.16</b>	<b>432.88</b>
<b>C2500</b>	<b>18.36</b>	<b>16.69</b>
<b>C2501</b>	<b>32.13</b>	<b>29.21</b>
<b>C2502</b>	<b>59.67</b>	<b>54.25</b>
<b>C2503</b>	<b>113.83</b>	<b>103.48</b>
<b>C2504</b>	<b>504.90</b>	<b>459.00</b>

### Dominos



### Putty Bricks



### Orange



### Button



### Garnet



### Ruby



### Blonde



### De-Waxed White



**READY MIX - supplied in Dangerous Goods Packaging****REGULAR FRENCH POLISH**

✓ Orange, Ready Mixed, 1 litre DG Packed	<b>C2510</b>	<b>48.43</b>	<b>44.02</b>
✓ De Waxed White, Ready Mixed, 1 litre DG Packed	<b>C2516</b>	<b>48.43</b>	<b>44.02</b>
✓ De Waxed White, Ready Mixed, 5 litre DG Packed	<b>C2517</b>	<b>198.77</b>	<b>180.70</b>
✓ Blonde, Dewaxed, Ready Mixed, 1 litre DG Packed	<b>C2522</b>	<b>48.43</b>	<b>44.02</b>
✓ Blonde, Dewaxed, Ready Mixed, 5 litre DG Packed	<b>C2523</b>	<b>198.77</b>	<b>180.70</b>

**HARD FRENCH POLISH**

✓ Orange, Ready Mixed, HARD, 1 litre DG Packed	<b>C2526</b>	<b>60.91</b>	<b>55.37</b>
✓ Orange, Ready Mixed, HARD, 5 litre DG Packed	<b>C2527</b>	<b>253.68</b>	<b>230.62</b>
✓ De Waxed White, Ready Mixed, HARD, 1 litre DG Packed	<b>C2532</b>	<b>60.91</b>	<b>55.37</b>
✓ De Waxed White, Ready Mixed, HARD, 5 litre DG Packed	<b>C2533</b>	<b>253.68</b>	<b>230.62</b>
✓ Blonde, Dewaxed, Ready Mixed, HARD, 1 litre DG Packed	<b>C2538</b>	<b>60.91</b>	<b>55.37</b>
✓ Blonde, Dewaxed, Ready Mixed, HARD, 5 litre DG Packed	<b>C2539</b>	<b>253.68</b>	<b>230.62</b>

**FINISHING OILS & WAXES**

Our tung oil is pure whereas most formulations marketed as tung oil contain only a small amount of tung oil. Tung oil is non toxic, applicable for use as a finish on kitchen utensils and children's toys.

✓ Oil, Tung, Pure, 1 Litre	<b>C2891</b>	<b>57.17</b>	<b>51.97</b>
✓ Oil, Tung, Pure, 5 Litre	<b>C2893</b>	<b>206.93</b>	<b>188.12</b>
✓ Wax, Bees, Mirowax 738, 230gms (re-packed)	<b>C7035</b>	<b>19.45</b>	<b>17.68</b>
✓ Wax, Bees, 3 kilos	<b>C7037</b>	<b>194.55</b>	<b>176.86</b>

**HOOK & LOOP STARTER PADS**

✓ 200mm, Pressure Sensitive Adhesive Backing	<b>A4138</b>	<b>5.22</b>	<b>4.75</b>
✓ 230mm, Pressure Sensitive Adhesive Backing	<b>A4139</b>	<b>15.68</b>	<b>14.25</b>
✓ 250mm, Pressure Sensitive Adhesive Backing	<b>A4140</b>	<b>5.22</b>	<b>4.75</b>
✓ 280mm, Pressure Sensitive Adhesive Backing	<b>A4141</b>	<b>5.22</b>	<b>4.75</b>
✓ 300mm, Pressure Sensitive Adhesive Backing	<b>A4142</b>	<b>29.70</b>	<b>27.00</b>
✓ 350mm, Pressure Sensitive Adhesive Backing	<b>A4143</b>	<b>5.22</b>	<b>4.75</b>

**ABRASIVE DISCS - HOOK & LOOP BACKED - PACKETS OF 10**

✓ 230mm, 40grit	<b>D3277</b>	<b>57.80</b>	<b>52.55</b>
✓ 230mm, 60grit	<b>D3278</b>	<b>40.20</b>	<b>36.55</b>
✓ 230mm, 80grit	<b>D3279</b>	<b>47.00</b>	<b>42.73</b>
✓ 230mm, 120grit	<b>D3280</b>	<b>37.40</b>	<b>34.00</b>
✓ 250mm, 40grit	<b>D3281</b>	<b>53.40</b>	<b>48.55</b>
✓ 250mm, 60grit	<b>D3282</b>	<b>47.40</b>	<b>43.09</b>
✓ 250mm, 80grit	<b>D3283</b>	<b>46.40</b>	<b>42.18</b>
✓ 250mm, 120grit	<b>D3284</b>	<b>45.00</b>	<b>40.91</b>
✓ 300mm, 40grit	<b>D3285</b>	<b>67.60</b>	<b>61.45</b>
✓ 300mm, 60grit	<b>D3286</b>	<b>65.80</b>	<b>59.82</b>
✓ 300mm, 80grit	<b>D3287</b>	<b>63.00</b>	<b>57.27</b>
✓ 300mm, 120grit	<b>D3288</b>	<b>62.40</b>	<b>56.73</b>
✓ 350mm, 40grit	<b>D3289</b>	<b>96.60</b>	<b>87.82</b>
✓ 350mm, 60grit	<b>D3290</b>	<b>93.40</b>	<b>84.91</b>
✓ 350mm, 80grit	<b>D3291</b>	<b>91.20</b>	<b>82.91</b>
✓ 350mm, 120grit	<b>D3292</b>	<b>88.20</b>	<b>80.18</b>

**SLEEVELESS DRUM SANDERS**

Use with cut strips of either garnet sandpaper or thin weight cloth back paper. Supplied with arbor and paper tensioning key.

✓ 3/4 x 2 1/4 inches (nom 19 x 55mm), Each	<b>E0691</b>	<b>44.62</b>	<b>40.56</b>
✓ 1 x 3 inches (nom 25 x 55mm), Each	<b>E0692</b>	<b>61.23</b>	<b>55.66</b>
✓ 2 x 3 inches (nom 50 x 75mm), Each	<b>E0693</b>	<b>64.62</b>	<b>58.74</b>
✓ 3 x 3 inches (nom 75 x 75mm), Each	<b>E0694</b>	<b>72.31</b>	<b>65.73</b>
✓ 3 x 4 1/2 inches (nom 75 x 112mm), Each	<b>E0695</b>	<b>87.69</b>	<b>79.72</b>
✓ 3 x 6 inches (nom 75 x 150mm), Each	<b>E0696</b>	<b>100.00</b>	<b>90.91</b>

**C2510****Pure Tung Oil****Beeswax**

## SCROLL SAW SANDING STRIPS

These fit Hegner machines either by using them directly or by snipping off the toggle ends with a 1mm Hegner blade clamp.

✓ 6mm wide, Pack of 4, 2 x 120, 1 x 180, 1 x 220 grit	<b>D5150</b>	<b>23.73</b>	<b>21.58</b>
✓ 12mm wide, Pack of 4, 1 x 80, 1 x 120, 1 x 180, 1 x 220grit	<b>D5151</b>	<b>23.73</b>	<b>21.58</b>
✓ 4 pcs, 1/4 inch (6mm) wide, 120 Grit	<b>D5160</b>	<b>23.73</b>	<b>21.58</b>
✓ 4 pcs, 1/4 inch (6mm) wide, 180 Grit	<b>D5161</b>	<b>23.73</b>	<b>21.58</b>
✓ 4 pcs, 1/4 inch (6mm) wide, 220 Grit	<b>D5162</b>	<b>23.73</b>	<b>21.58</b>
✓ 4 pcs, 1/2 inch (12mm) wide, 80 Grit	<b>D5163</b>	<b>23.73</b>	<b>21.58</b>
✓ 4 pcs, 1/2 inch (12mm) wide, 120 Grit	<b>D5164</b>	<b>23.73</b>	<b>21.58</b>
✓ 4 pcs, 1/2 inch (12mm) wide, 180 Grit	<b>D5165</b>	<b>23.73</b>	<b>21.58</b>
✓ 4 pcs, 1/2 inch (12mm) wide, 220 Grit	<b>D5166</b>	<b>23.73</b>	<b>21.58</b>



## ABRASIVE DISCS - CLOTH BACKED - PACKETS OF 10

✓ 10 discs, 300mm, 40grit	<b>D3305</b>	<b>148.60</b>	<b>135.09</b>
✓ 10 discs, 300mm, 60grit	<b>D3306</b>	<b>135.00</b>	<b>122.73</b>
✓ 10 discs, 300mm, 80grit	<b>D3307</b>	<b>126.40</b>	<b>114.91</b>
✓ 10 discs, 300mm, 120grit	<b>D3308</b>	<b>118.80</b>	<b>108.00</b>
✓ 10 discs, 350mm, 40grit	<b>D3309</b>	<b>204.80</b>	<b>186.18</b>
✓ 10 discs, 350mm, 60grit	<b>D3310</b>	<b>185.60</b>	<b>168.73</b>
✓ 10 discs, 350mm, 80grit	<b>D3311</b>	<b>169.80</b>	<b>154.36</b>
✓ 10 discs, 350mm, 120grit	<b>D3312</b>	<b>160.80</b>	<b>146.18</b>

**C0390**



## DISC CEMENT

✓ Cement, Disc, for Disc Sander cloth back pads, 500ml	<b>C0390</b>	<b>42.15</b>	<b>38.32</b>
✓ Restorer, Abrasive Disc /Belt	<b>A4135</b>	<b>5.22</b>	<b>4.75</b>

**A4135**



## BOBBIN SANDER SLEEVES & SANDING BELTS

We can supply for any machine in a range of grits. Minimum orders apply - please email or call.

## WOOD CARVING

Wood Works carries the largest and most comprehensive range of woodcarving tools in Australia. The hand forged #52 series tool from Stubai in the Austrian Tyrol are an excellent starter kit. The hand forged #55 series are a slightly longer pattern with polished flute.

	ITEM	RRP	Ex GST
✓ Chisel, Carving, Set, Boxed, Stubai, 52 Series, 6 piece	<b>F4925</b>	<b>130.89</b>	<b>118.99</b>
✓ Chisel, Carving, Set, Stubai, 55 Series, 6 Piece	<b>F4932</b>	<b>258.11</b>	<b>234.64</b>
✓ Chisel, Carving, Set, Stubai, Micro Series, 6 Piece	<b>F4942</b>	<b>147.91</b>	<b>134.46</b>
✓ Mallet, Carver's, 70mm Diam, 400gram, #511001	<b>T3365</b>	<b>29.25</b>	<b>26.59</b>
✓ Screw, Carver's, 150mm x 10mm, #3506	<b>E2180</b>	<b>56.75</b>	<b>51.59</b>

**T3365**



**F4981**

**F4990**

**F4942**

**E2180**



## CRICKET BAT SHAPING

✓ Draw Knife, 240mm, Curved, 90 deg In Line Handles	<b>T2480</b>	<b>64.94</b>	<b>59.04</b>
---	--------------	--------------	--------------

## SPOON CARVERS HOOK KNIVES

✓ RIGHT Handed, 15mm Radius, 150mm Overall	<b>T2430</b>	<b>52.71</b>	<b>47.92</b>
✓ LEFT Handed, 15mm Radius, 150mm Overall	<b>T2431</b>	<b>52.71</b>	<b>47.92</b>
✓ RIGHT Handed, 25mm radius, 165mm Overall	<b>T2432</b>	<b>52.71</b>	<b>47.92</b>
✓ LEFT Handed, 25mm radius, 165mm Overall	<b>T2433</b>	<b>52.71</b>	<b>47.92</b>
✓ 12mm Radius, Single Bevel, for RH use	<b>T2438</b>	<b>49.11</b>	<b>44.65</b>
✓ 22mm Radius, Double Bevel, for RH & LH use	<b>T2439</b>	<b>50.59</b>	<b>45.99</b>
✓ Chisel, Carving, 5216 Series, Long Bent, 16/12, #521612	<b>F4392</b>	<b>39.07</b>	<b>35.52</b>

**T2480**





### CUT RESISTANT GLOVES

- ✓ Dyneema, 56gms, Red, #7, Medium
- ✓ Dyneema, 73gms, Blue, #8, Large
- ✓ Dyneema, 75gms, Yellow, #9, XL
- ✓ Dyneema, 75gms, Acqu, #10, XXL

<b>E0224</b>	<b>45.41</b>	<b>41.28</b>
<b>E0225</b>	<b>47.74</b>	<b>43.40</b>
<b>E0226</b>	<b>48.44</b>	<b>44.03</b>
<b>E0227</b>	<b>50.30</b>	<b>45.73</b>



## HAND TOOLS

We supply in excess of 8,000 items from manufacturers across the world. The hand tool listing below is only a small part of the range we offer and is filtered by our long experience in dealing with schools. Please contact us for items not listed below. We refuse to market what amounts to landfill and, as a response to the extremely poor quality tools and equipment being offered to many schools and the concerns expressed to us more or less daily by teachers having to use these items, we also note the country of origin and recognised brands of the tools we sell. All our tools come with warranty and all have brands which are meaningful and manufactured by reputable makers.

### WARRINGTON (CROSS PEIN) TACK HAMMERS & DUAL PINION EGGBEATER DRILL - GERMAN MADE

- ✓ 125g, (4.5 oz), #2008 / 125
- ✓ 180g, (6oz), #2008 / 180
- ✓ Drill, Hand, Double Pinion, 10mm, #2551

<b>T4369</b>	<b>39.23</b>	<b>35.66</b>
<b>T4370</b>	<b>43.10</b>	<b>39.18</b>
<b>T0495</b>	<b>67.41</b>	<b>61.28</b>



### CENTRE PUNCHES - GERMAN MADE

- ✓ Medium Duty, Octagonal Stock, 100mm x 10mm
- ✓ Medium Duty, Octagonal Stock, 120mm x 10mm
- ✓ Medium Duty, Octagonal Stock, 150mm x 10mm
- ✓ Heavy Duty, Octagonal Stock, 120mm x 10mm
- ✓ Heavy Duty, Octagonal Stock, 120mm x 12mm
- ✓ Heavy Duty, Octagonal Stock, 150mm x 12mm
- ✓ Heavy Duty, Octagonal Stock, 150mm x 16mm

<b>T3429</b>	<b>5.40</b>	<b>4.91</b>
<b>T3430</b>	<b>6.00</b>	<b>5.45</b>
<b>T3431</b>	<b>7.80</b>	<b>7.09</b>
<b>T3432</b>	<b>6.00</b>	<b>5.45</b>
<b>T3433</b>	<b>6.60</b>	<b>6.00</b>
<b>T3434</b>	<b>7.80</b>	<b>7.09</b>
<b>T3435</b>	<b>12.00</b>	<b>10.91</b>



### NAIL PUNCHES - GERMAN MADE

- ✓ Punch, Nail, Carbon Steel, Boker, 3mm, #5035-3
- ✓ Punch, Nail, Carbon Steel, Boker, 4mm, #5035-4
- ✓ Punch, Nail, Carbon Steel, Boker, 5mm, #5035-5

<b>T3441</b>	<b>4.86</b>	<b>4.42</b>
<b>T3442</b>	<b>5.40</b>	<b>4.91</b>
<b>T3443</b>	<b>6.48</b>	<b>5.89</b>

### TAPERED PUNCHES - GERMAN MADE

- ✓ Octagonal Stock, 120 x 10 x 1.0mm tip, #4935-01
- ✓ Octagonal Stock, 120 x 10 x 2.0mm tip, #4935-02
- ✓ Octagonal Stock, 120 x 10 x 3.0mm tip, #4935-03
- ✓ Octagonal Stock, 120 x 12 x 4.0mm tip, #4935-04
- ✓ Octagonal Stock, 120 x 12 x 5.0mm tip, #4935-05

<b>T3445</b>	<b>7.80</b>	<b>7.09</b>
<b>T3446</b>	<b>7.80</b>	<b>7.09</b>
<b>T3447</b>	<b>7.80</b>	<b>7.09</b>
<b>T3448</b>	<b>8.40</b>	<b>7.64</b>
<b>T3449</b>	<b>8.40</b>	<b>7.64</b>

### PIN PUNCHES - GERMAN MADE

- ✓ Overall 150mm, Set of 6, 3,4,5,6,7,8mm

<b>T3498</b>	<b>49.20</b>	<b>44.73</b>
--------------	--------------	--------------



### HAND SANDING - PLAIN AND HOOK & LOOP SOLUTIONS

- ✓ Float, Sanding, 90 x 185mm, #705125

<b>T8016</b>	<b>33.21</b>	<b>30.19</b>
--------------	--------------	--------------



- ✓ Block, Sanding, 115 x 55mm, #705120

<b>T8017</b>	<b>24.79</b>	<b>22.54</b>
--------------	--------------	--------------



**CAT'S PAW / PRY BAR**

- ✓ Shark Bar, 200mm (8 inch)

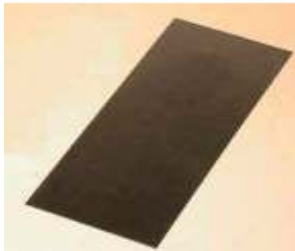
<b>T8026</b>	<b>56.49</b>	<b>51.35</b>
--------------	--------------	--------------

**CABINET SCRAPERS- GERMAN AND AUSTRIAN MADE-KIRSCHEN AND STUBAI**

- ✓ 1.2mm, 140mm x 50mm, Rectangular Heavy Gauge
- ✓ 1.2mm, 160mm x 60mm, Rectangular Heavy Gauge
- ✓ 0.6mm, 150mm x 50mm, Rectangular
- ✓ 0.8mm, 150mm x 50mm, Rectangular
- ✓ 0.8mm Goose Neck
- ✓ 0.8mm, 150mm x 50mm, Concave/Convex
- ✓ Burnisher, Round, 120mm

<b>T1698</b>	<b>5.45</b>	<b>4.95</b>
<b>T1699</b>	<b>5.95</b>	<b>5.41</b>
<b>T1700</b>	<b>7.15</b>	<b>6.50</b>
<b>T1701</b>	<b>7.15</b>	<b>6.50</b>
<b>T1702</b>	<b>8.10</b>	<b>7.36</b>
<b>T1703</b>	<b>6.48</b>	<b>5.89</b>
<b>T1711</b>	<b>22.15</b>	<b>20.14</b>

**T1698 - T1701**



**T1702**



**T1703**



**T1711**



**COPING SAWS - GERMAN MADE - BOKER**

- ✓ Saw, Coping, Boker, #160
- ✓ Blades, Coping, Pinned, pkt 12, #470

ITEM	RRP	Ex GST
<b>T1581</b>	<b>26.95</b>	<b>24.50</b>
<b>L1903</b>	<b>8.29</b>	<b>7.53</b>

**JAPANESE HAND SAWS - GYOKUCHO**

Japanese pull-action saws have a far superior cutting action which is within the ability of the absolute beginner wood worker. They are ideal for use in schools at all ages and replaceable blades take years to lose their edge. A Dozuki is equivalent to a western dovetail or tenon saw.

- ✓ Dozuki Noko, 0.3 x 180mm, EVA Handle, #297
- ✓ Dozuki Noko, 0.3 x 180mm, EVA Handle, #297, Box 12
- ✓ Blade, for #297

<b>T1388</b>	<b>56.00</b>	<b>50.91</b>
<b>T1389</b>	<b>550.00</b>	<b>500.00</b>
<b>L1018</b>	<b>42.00</b>	<b>38.18</b>

**E2525 & E2526**



**MITRE BOXES - AUSTRIAN MADE - STUBAI**

- ✓ Box, Mitre, #345601
- ✓ Box, Mitre, and Backsaw, #345701

<b>E2525</b>	<b>11.95</b>	<b>10.86</b>
<b>E2526</b>	<b>18.95</b>	<b>17.23</b>

**T1581**



**T1388**



**JEWELER'S STARTER KITS**

- ✓ Jeweler's Frame, for 50~130mm Pinless Blades
- ✓ Board, Fretsawing, Overall 210mm, #59 003 210
- ✓ Clamp, for Fretsaw Board, #59 004 000
- ✓ Set, Board and Clamp

<b>T1600</b>	<b>36.55</b>	<b>33.23</b>
<b>E1910</b>	<b>7.48</b>	<b>6.80</b>
<b>E1911</b>	<b>6.03</b>	<b>5.48</b>
<b>E1912</b>	<b>12.68</b>	<b>11.53</b>



**SAW RASP**

✓ Coarse & Fine, In-Line Handled, 280mm Blade Length	<b>T2690</b>	<b>39.35</b>	<b>35.78</b>
--	--------------	--------------	--------------

**CABINETMAKERS RASPS - HAND CUT**

✓ Half Round, Long, Tapered, FINE, 350 x 30 x 4mm, Cut #4	<b>T2730</b>	<b>24.45</b>	<b>22.23</b>
✓ Flat, COARSE, with Handle Tang, 200 x 24 x 4mm, Cut #3	<b>T2731</b>	<b>20.72</b>	<b>18.84</b>

✓ Flat, MEDIUM/FINE, 210 x 25 x 4mm, Cut #4/6	<b>T2732</b>	<b>27.71</b>	<b>25.19</b>
✓ Flat, VERY FINE, 120 x 10 x 3mm, Cut #7	<b>T2733</b>	<b>15.60</b>	<b>14.18</b>

✓ Half Round, Tapered, COARSE, 200 x 25 x 5mm, Cut #3	<b>T2734</b>	<b>19.09</b>	<b>17.36</b>
✓ Half Round, Tapered, MEDIUM, 210 x 25 x 5mm, Cut #4	<b>T2735</b>	<b>27.71</b>	<b>25.19</b>

✓ Crossing, Tapered, FINE, 130 x 15 x 3.5mm, Cut #5	<b>T2736</b>	<b>15.60</b>	<b>14.18</b>
✓ Crossing, Tapered, FINE, 200 x 25 x 4.5mm, Cut #5	<b>T2737</b>	<b>28.41</b>	<b>25.83</b>
✓ Crossing, Tapered, VERY FINE, 100 x 10 x 3.5mm, Cut #7	<b>T2738</b>	<b>14.67</b>	<b>13.34</b>

✓ Round, Tapered, VERY COARSE, 240 x 8mm, Cut #2	<b>T2739</b>	<b>24.45</b>	<b>22.23</b>
✓ Round, Tapered, COARSE, 160 x 6mm, Cut #3	<b>T2740</b>	<b>18.40</b>	<b>16.72</b>

✓ Half Round, Tapered, FINE, 130 x 15 x 4mm, Cut #6	<b>T2741</b>	<b>15.60</b>	<b>14.18</b>
✓ Half Round, Tapered, FINE, 100 x 8 x 2.5mm, #Cut 7	<b>T2742</b>	<b>14.20</b>	<b>12.91</b>



**MARPLES - BRITISH MADE LAYOUT TOOLS**

British made Marples layout tools are Sheffield made and available in a range of affordable high quality tools made from beech and plantation rosewood.

**Beech Squares**



**Rosewood Squares**



**Rosewood Mitre Squares**



**SQUARES - TRY**

✓ Beech Stock, 150mm, #200	<b>T7435</b>	<b>18.38</b>	<b>16.70</b>
✓ Beech Stock, 225mm, #201	<b>T7436</b>	<b>21.88</b>	<b>19.89</b>
✓ Beech Stock, 300mm, #202	<b>T7437</b>	<b>24.21</b>	<b>22.01</b>
✓ Rosewood Stock, with Brass Diamonds, 150mm, #19A	<b>T7439</b>	<b>38.00</b>	<b>34.55</b>
✓ Rosewood Stock, with Brass Diamonds, 225mm, #19B	<b>T7440</b>	<b>45.75</b>	<b>41.59</b>
✓ Rosewood Stock, with Brass Diamonds, 300mm, #19C	<b>T7441</b>	<b>57.50</b>	<b>52.27</b>

**Try / Mitre Square**



**T7448**

**SQUARES - MITRE**

✓ Mitre, Rosewood, with Brass Diamonds, 250mm, #19M	<b>T7443</b>	<b>50.25</b>	<b>45.68</b>
✓ Mitre, Rosewood, with Brass Diamonds, 380mm, #19P	<b>T7444</b>	<b>57.00</b>	<b>51.82</b>



**T7455**

**SQUARES - TRY & MITRE**

✓ Rosewood Stock, with Brass Diamonds, 250mm, #19T	<b>T7446</b>	<b>45.25</b>	<b>41.14</b>
--	--------------	--------------	--------------

**GAUGES - MARKING**

✓ Beech, Half Round Head, Wood Face, Plastic Screw, #1	<b>T7448</b>	<b>13.66</b>	<b>12.42</b>
✓ Beech, Half Round Head, Brass Face, Plastic Screw, #2	<b>T7449</b>	<b>19.21</b>	<b>17.47</b>
✓ Rosewood, Half Round Head, Brass Face & Screw, #6	<b>T7455</b>	<b>18.75</b>	<b>17.05</b>



**T7457**

**GAUGES - MORTICE & MARKING - SLIDE ACTION**

✓ Beech, Square Head, Wood Face, Plastic Screw, #7	<b>T7457</b>	<b>24.31</b>	<b>22.10</b>
✓ Beech, Square Head, Brass Face, Plastic Screw, #8	<b>T7458</b>	<b>32.87</b>	<b>29.88</b>
✓ Rosewood, Square Head, Brass Face & Screw, #10C	<b>T7460</b>	<b>50.00</b>	<b>45.45</b>

**GAUGES - MORTICE & MARKING - SCREW ACTION**

✓ Rosewood, Square Head, Brass Face & Screw, #13C	<b>T7461</b>	<b>83.25</b>	<b>75.68</b>
---	--------------	--------------	--------------

**GAUGES - CUTTING**

✓ Beech, Brass Face, Plastic Thumb Screw, #4	<b>T7465</b>	<b>20.21</b>	<b>18.37</b>
✓ Rosewood, Brass Face, Brass Thumb Screw, #6a	<b>T7469</b>	<b>39.25</b>	<b>35.68</b>



**SPARE THUMB SCREW**

- ✓ Screw, Thumb, for Marking Gauge

<b>S0390</b>	<b>2.95</b>	<b>2.68</b>
--------------	-------------	-------------

**BEVELS - MARPLES**

- ✓ Wing Nut Lock, Beech, 190mm, #210
- ✓ Wing Nut Lock, Beech, 225mm, #211
- ✓ Wing Nut Lock, Beech, 267mm, #212
- ✓ Screwdriver Lock, Rosewood, 190mm, #20A
- ✓ Screwdriver Lock, Rosewood, 267mm, #20C
- ✓ Thumb Wheel Lock, Rosewood, 190mm, #20D
- ✓ Thumb Wheel Lock, Rosewood, 225mm, #20E
- ✓ Thumb Wheel Lock, Rosewood, 300mm, #20H

<b>T7473</b>	<b>11.67</b>	<b>10.61</b>
<b>T7474</b>	<b>12.17</b>	<b>11.06</b>
<b>T7475</b>	<b>12.00</b>	<b>10.91</b>
<b>T7476</b>	<b>30.00</b>	<b>27.27</b>
<b>T7478</b>	<b>35.00</b>	<b>31.82</b>
<b>T7479</b>	<b>28.75</b>	<b>26.14</b>
<b>T7480</b>	<b>33.25</b>	<b>30.23</b>
<b>T7482</b>	<b>46.25</b>	<b>42.05</b>



**T7460**



**T7473**

**AWLS - MARPLES**

- ✓ Awl, Beech, Round Blade, Screwdriver Point, 50mm blade,
- ✓ Awl, Beech, Reaming, Ground Square Blade, 50mm blade,

<b>T7026</b>	<b>8.95</b>	<b>8.14</b>
<b>T7027</b>	<b>14.95</b>	<b>13.59</b>

**MARKING KNIVES - MARPLES**

- ✓ Knife, Marking, Right Hand, Beech, #125
- ✓ Knife, Marking, Right Hand, Rosewood, #25

<b>T7324</b>	<b>9.95</b>	<b>9.05</b>
<b>T7325</b>	<b>10.95</b>	<b>9.95</b>



**MALLETS - MARPLES**

- ✓ Mallet, Carpenter's, Beech, 114mm, #30a

<b>T3381</b>	<b>28.95</b>	<b>26.32</b>
--------------	--------------	--------------

**PINCERS - AUSTRIAN MADE**

- ✓ Polished Head, PVC Coated handles, 160mm

<b>T7994</b>	<b>25.53</b>	<b>23.21</b>
--------------	--------------	--------------

**BRAD PUSHER**

Allows safe starting of panel pins in hard wood and full driving in soft woods.  
Magnetic spring loaded, British made by Crown Tools

- ✓ Pusher, Brad, Rosewood handle #110XW

<b>T3464</b>	<b>46.88</b>	<b>42.61</b>
--------------	--------------	--------------



**T7026**

**Brad Pusher**



**T7324 & T7325**



**Pincers**



**S0390**



**CHISELS - AUSTRIAN MADE - STUBAI**

**BEVEL EDGE**

Quality Austrian made bench chisels with tough poly propylene handles.

Note: There are 7 styles of bevel edge Stubai chisels available - contact us for other options.



**Stubai Series 3543**

- ✓ Set of 6, 6,10,14,18,22,26mm, Stubai, #354406 **X**
- ✓ 2mm, #354302
- ✓ 4mm, #354304
- ✓ 6mm, (6), #354306 **X**

<b>ITEM</b>	<b>RRP</b>	<b>Ex GST</b>
<b>T9468</b>	<b>129.95</b>	<b>118.14</b>
<b>T9449</b>	<b>26.95</b>	<b>24.50</b>
<b>T9450</b>	<b>21.83</b>	<b>19.85</b>
<b>T9451</b>	<b>21.83</b>	<b>19.85</b>

✓ 8mm, #354308		<b>T9452</b>	<b>21.83</b>	<b>19.85</b>
✓ 10mm, (6), #354310	<b>X</b>	<b>T9453</b>	<b>21.83</b>	<b>19.85</b>
✓ 12mm, (4), #354312		<b>T9454</b>	<b>21.83</b>	<b>19.85</b>
✓ 14mm, (6), #354314	<b>X</b>	<b>T9455</b>	<b>21.83</b>	<b>19.85</b>
✓ 16mm, (4), #354316		<b>T9456</b>	<b>22.61</b>	<b>20.55</b>
✓ 18mm, (6), #354318	<b>X</b>	<b>T9457</b>	<b>23.60</b>	<b>21.45</b>
✓ 20mm, (4), #354320		<b>T9458</b>	<b>24.01</b>	<b>21.83</b>
✓ 22mm, (6), #354322	<b>X</b>	<b>T9459</b>	<b>24.95</b>	<b>22.68</b>
✓ 24mm, (4), #354324		<b>T9460</b>	<b>24.95</b>	<b>22.68</b>
✓ 25mm, (4), #354325		<b>T9461</b>	<b>24.95</b>	<b>22.68</b>
✓ 26mm, (6), #354326	<b>X</b>	<b>T9462</b>	<b>24.95</b>	<b>22.68</b>
✓ 28mm, #354328		<b>T9463</b>	<b>25.47</b>	<b>23.15</b>
✓ 30mm, #354330		<b>T9464</b>	<b>25.47</b>	<b>23.15</b>
✓ 32mm, #354332		<b>T9465</b>	<b>25.99</b>	<b>23.63</b>
✓ 35mm, #354335		<b>T9466</b>	<b>27.14</b>	<b>24.67</b>
✓ 40mm, #354340		<b>T9467</b>	<b>29.73</b>	<b>27.02</b>

#### FIRMER - GERMAN MADE - KIRSCHEN

##### Kirschen Two Cherries Series 1021 - rectangular section, non bevel edge.

✓ Chisel, Firmer, Flat Hornbeam Handle, 6mm, #1021	<b>T8589</b>	<b>33.93</b>	<b>30.85</b>
✓ Chisel, Firmer, Flat Hornbeam Handle, 10mm, #1021	<b>T8591</b>	<b>34.95</b>	<b>31.77</b>
✓ Chisel, Firmer, Flat Hornbeam Handle, 12mm, #1021	<b>T8592</b>	<b>35.60</b>	<b>32.36</b>
✓ Chisel, Firmer, Flat Hornbeam Handle, 16mm, #1021	<b>T8594</b>	<b>34.95</b>	<b>31.77</b>
✓ Chisel, Firmer, Flat Hornbeam Handle, 20mm, #1021	<b>T8596</b>	<b>41.15</b>	<b>37.41</b>
✓ Chisel, Firmer, Flat Hornbeam Handle, 26mm, #1021	<b>T8599</b>	<b>48.12</b>	<b>43.75</b>



#### HAND PLANES

See below a range of hand planes which represent remarkable quality for the price. Japanese made and with close to the finish and build quality found in the market leading Canadian and American brands.

##### Pocket Block Planes with Fixed Mouth, 32mm Wide Blades - 135mm Overall

✓ Low 12 deg. Angle, 440grams	<b>T2926</b>	<b>105.63</b>	<b>96.03</b>
✓ Standard 20 deg. Angle, 440grams	<b>T2927</b>	<b>105.63</b>	<b>96.03</b>



##### Block Planes - Bevel Up - 160mm Overall

✓ Rebate, Low 12 deg. Angle, Fixed Mouth, 45 x 3mm blade	<b>T2920</b>	<b>159.82</b>	<b>145.29</b>
✓ Standard 20 deg. Angle, Adjustable Mouth, 35 x 3mm blade	<b>T2921</b>	<b>191.82</b>	<b>174.39</b>
✓ Low 12 deg. Angle, Adjustable Mouth, 35 x 3mm blade	<b>T2922</b>	<b>155.37</b>	<b>141.25</b>
✓ Rebate, Low 12 deg. Angle, Adj. Mouth, 44x3mm blade	<b>T2923</b>	<b>196.05</b>	<b>178.23</b>

Item: T2920



Item: T2921



Item: T2922



Item: T2923





**Bench Planes - Bedrock Design - Bevel Down**

- ✓ Smoothing, #4
- ✓ Jack, #5
- ✓ Fore, #6
- ✓ Jointer, #7

T2937	264.51	240.46
T2938	320.08	290.98
T2939	353.42	321.29
T2936	408.99	371.81

**Full Specifications**

#4 Size, Bedrock Design, 51 x 3.0mm blade, 250 overall, 2250 grams

#5 Size, Bedrock Design, Adjustable Mouth, 51 x 3.0mm blade, 355 overall, 2770 grams

#6 Size, Bedrock Design, Adjustable Mouth, 60 x 3.0mm blade, 450 overall, 3730 grams

#7 Size, Bedrock Design, Adjustable Mouth, 60 x 3.0mm blade, 560 overall, 4000 grams

**Smoothing, #4**



**Jack, #5**



**Fore, #6**



**Jointer, #7**



**SAFETY CHUCK - QUICK CHANGE KEYLESS CHUCKS AND DRILLS - MADE IN USA**

Safety chucks can be installed in any standard keyed jacob's chuck in either stationary drill press or hand held drills. Once fitted the use of dangerous chuck keys is eliminated and drills and countersinks and any detent shank tooling can be quickly snapped into and out of the chuck.

**CHUCKS**

- ✓ Chuck, Quick Change, #40011

<b>T0850</b>	<b>32.06</b>	<b>29.15</b>
--------------	--------------	--------------

**CHUCK EXTENSIONS - HEX DETENT SHANK**

Used where a longer reach is required. Can be ganged together and accept tooling.

- ✓ Quick Chuck, with 3 inch Extension, #40013
- ✓ Quick Chuck, with 6 inch Extension, #40016

<b>T0860</b>	<b>28.60</b>	<b>26.00</b>
<b>T0861</b>	<b>31.90</b>	<b>29.00</b>

**T0850**



**DRILLS - HSS - HEX DETENT SHANK**

These are intergrally formed and can be sharpened but the bits are not replaceable.

- ✓ Set, 7 Piece, 1/16, 3/32, 1/8, 5/32, 3/16, 7/32, 1/4 inch
- ✓ Set, 13 Piece, 1/16 to 1/4 inch in 64ths
- ✓ 1/16 inch, (4/64 - 1.59mm)
- ✓ 5/64 inch, (5/64 - 1.98mm)
- ✓ 3/32 inch, (6/64 - 2.38mm)
- ✓ 7/64 inch, (7/64 - 2.78mm)
- ✓ 1/8 inch, (8/64 - 3.18mm)
- ✓ 9/64 inch, (9/64 - 3.57mm)
- ✓ 5/32 inch, (10/64 - 3.97mm)
- ✓ 11/64 inch, (11/64 - 4.37mm)
- ✓ 3/16 inch, (12/64 - 4.76mm)
- ✓ 13/64 inch, (13/64 - 5.16mm)
- ✓ 7/32 inch, (14/64 - 5.56mm)
- ✓ 15/64 inch, (15/64 - 5.95mm)
- ✓ 1/4 inch, (16/64 - 6.35mm)

<b>T0646</b>	<b>50.16</b>	<b>45.60</b>
<b>T0647</b>	<b>94.24</b>	<b>85.67</b>
<b>T0648</b>	<b>6.08</b>	<b>5.53</b>
<b>T0649</b>	<b>6.08</b>	<b>5.53</b>
<b>T0650</b>	<b>6.54</b>	<b>5.94</b>
<b>T0651</b>	<b>6.54</b>	<b>5.94</b>
<b>T0652</b>	<b>6.54</b>	<b>5.94</b>
<b>T0653</b>	<b>6.69</b>	<b>6.08</b>
<b>T0654</b>	<b>6.84</b>	<b>6.22</b>
<b>T0655</b>	<b>6.84</b>	<b>6.22</b>
<b>T0656</b>	<b>7.90</b>	<b>7.19</b>
<b>T0657</b>	<b>6.84</b>	<b>6.22</b>
<b>T0658</b>	<b>9.88</b>	<b>8.98</b>
<b>T0659</b>	<b>6.84</b>	<b>6.22</b>
<b>T0660</b>	<b>12.16</b>	<b>11.05</b>

**T0860 & T0861**



**T0648~T0660**



**ADAPTER DRILLS - HEX DETENT SHANK**

These allow drills to be replaced when broken or dull.

- ✓ 1/16 inch = 4/64 inch, (1.59mm), #42004
- ✓ 5/64 inch = 5/64 inch, (1.98mm), #42005
- ✓ 3/32 inch = 6/64 inch, (2.37mm), #42006
- ✓ 7/64 inch = 7/64 inch,, (2.78mm), #42007
- ✓ 1/8 inch = 8/64 inch, (3.18mm), #42008
- ✓ 9/64 inch = 9/64 inch, (3.57mm), #42009
- ✓ 5/32 inch = 10/64 inch, (3.97mm), #42010
- ✓ 11/64 inch = 11/64 inch, (4.37mm), #42011
- ✓ 3/16 inch = 12/64 inch, (4.76mm), #42012
- ✓ 13/64 inch = 13/64 inch, (5.16mm), #42013
- ✓ 7/32 inch = 14/64 inch, (5.56mm), #42014
- ✓ 15/64 inch = 15/64 inch, (5.95mm), #42015
- ✓ 1/4 inch = 16/64 inch, (6.35mm), #42016
- ✓ 9/32 inch = 18/64 inch, (7.14mm), #42018
- ✓ 5/16 inch = 20/64 inch, (7.94mm), #42020
- ✓ 3/8 inch = 24/64 inch, (9.53mm), #42024
- ✓ 1/8 inch = 8/64 inch, (3.18mm), #42008B, pkt 10
- ✓ Adapter, for Drills, 7 piece set, 1/16 to 1/4 inch, #40020

<b>T0870</b>	<b>14.30</b>	<b>13.00</b>
<b>T0871</b>	<b>14.30</b>	<b>13.00</b>
<b>T0872</b>	<b>14.30</b>	<b>13.00</b>
<b>T0873</b>	<b>14.30</b>	<b>13.00</b>
<b>T0874</b>	<b>14.30</b>	<b>13.00</b>
<b>T0875</b>	<b>13.20</b>	<b>12.00</b>
<b>T0876</b>	<b>14.30</b>	<b>13.00</b>
<b>T0877</b>	<b>14.30</b>	<b>13.00</b>
<b>T0878</b>	<b>14.30</b>	<b>13.00</b>
<b>T0879</b>	<b>14.30</b>	<b>13.00</b>
<b>T0880</b>	<b>14.30</b>	<b>13.00</b>
<b>T0881</b>	<b>14.30</b>	<b>13.00</b>
<b>T0882</b>	<b>14.30</b>	<b>13.00</b>
<b>T0883</b>	<b>17.60</b>	<b>16.00</b>
<b>T0884</b>	<b>17.60</b>	<b>16.00</b>
<b>T0885</b>	<b>20.35</b>	<b>18.50</b>
<b>T0886</b>	<b>55.00</b>	<b>50.00</b>
<b>T0887</b>	<b>94.60</b>	<b>86.00</b>

**T0870~T0887**



**COUNTERSINK/COUNTERBORE - HEX DETENT SHANK - WITH HSS DRILLS**

These cuts countersinks and, with an appropriate depth stop collar, plugable counterbores.

- ✓ Tool Steel, 5/64 = 5/64, (1.98mm)
- ✓ Tool Steel, 3/32 = 6/64 inch, (2.37mm)
- ✓ Tool Steel, 7/64 = 7/64 inch, (2.78mm)
- ✓ Tool Steel, 1/8 = 8/64 inch, (3.18mm)
- ✓ Tool Steel, 9/64 = 9/64 inch, (3.57mm)
- ✓ Tool Steel, 5 pce set, 5/64, 3/32, 7/64, 1/8, 9/64s
- ✓ TCT, 5/64 = 5/64, (1.98mm)
- ✓ TCT, 3/32 = 6/64 inch, (2.37mm)
- ✓ TCT, 7/64 = 7/64 inch, (2.78mm)
- ✓ TCT, 1/8 = 8/64 inch, (3.18mm)
- ✓ TCT, 9/64 = 9/64 inch, (3.57mm)
- ✓ TCT, 3/16 = 12/64 inch, (4.76mm)

<b>T0910</b>	<b>22.00</b>	<b>20.00</b>
<b>T0911</b>	<b>22.00</b>	<b>20.00</b>
<b>T0912</b>	<b>22.00</b>	<b>20.00</b>
<b>T0913</b>	<b>22.00</b>	<b>20.00</b>
<b>T0914</b>	<b>22.00</b>	<b>20.00</b>
<b>T0915</b>	<b>88.00</b>	<b>80.00</b>
<b>T0920</b>	<b>57.20</b>	<b>52.00</b>
<b>T0921</b>	<b>57.20</b>	<b>52.00</b>
<b>T0922</b>	<b>49.50</b>	<b>45.00</b>
<b>T0923</b>	<b>49.50</b>	<b>45.00</b>
<b>T0924</b>	<b>49.50</b>	<b>45.00</b>
<b>T0925</b>	<b>49.50</b>	<b>45.00</b>

**T0910~T0925**



**T0620 & T0621**



**COUNTERSINKS - HEX DETENT SHANK - TOOL STEEL**

- ✓ 82 degree
- ✓ 100 degree

<b>T0620</b>	<b>34.96</b>	<b>31.78</b>
<b>T0621</b>	<b>34.96</b>	<b>31.78</b>

### GUIDE DRILLS - HEX DETENT SHANK

- ✓ 5/64 inch (1.98mm), #45105
- ✓ 7/64 inch (2.78mm), #45107
- ✓ 9/64 inch (3.57mm), #45109
- ✓ 11/64 inch (4.37mm), #45111
- ✓ 13/64 inch (5.16mm), #45113
- ✓ 5 piece Set, 5/64,7/64,9/64,11/64,13/64 inch

T0930	31.35	28.50
T0931	31.35	28.50
T0932	34.65	31.50
T0933	62.70	57.00
T0934	62.70	57.00
T0935	188.10	171.00

- ✓ Drill, Spare for Guide Drill, 5/64 inch
- ✓ Drill, Spare for Guide Drill, 7/64 inch
- ✓ Drill, Spare for Guide Drill, 9/64 inch
- ✓ Drill, Spare for Guide Drill, 11/64 inch
- ✓ Drill, Spare for Guide Drill, 13/64 inch

T0945	9.00	8.18
T0946	9.00	8.18
T0947	9.00	8.18
T0948	17.00	15.45
T0949	17.00	15.45

### STOP COLLARS - DEPTH STOP

- ✓ 3/8 inch, for countersinks to 1/8 inch
- ✓ 1/2 inch, for 9/64 inch countersink

T0960	9.90	9.00
T0961	9.90	9.00

### PLUG CUTTERS - HEX DETENT SHANK

- ✓ Cutter, Plug, 1/4 inch (6.35mm)
- ✓ Cutter, Plug, 3/8 inch, (9.53mm)
- ✓ Cutter, Plug, 1/2 inch, (12.7mm)
- ✓ Cutter, Plug, 5/8 inch, (15.88mm)
- ✓ Cutter, Plug, 3/4 inch, (19.05mm)
- ✓ Cutter, Plug, 1 inch, (25.4mm)

T0965	31.35	28.50
T0966	37.95	34.50
T0967	44.00	40.00
T0968	50.60	46.00
T0969	72.60	66.00
T0970	93.50	85.00

T0930~T0949



T0960 & T0961



T0965~T0970



### Cross Hole Countersinks - Australian Made

The sweetest cutting countersink we know of and high speed steel so also useful in metalwork.

- ✓ HSS, 82deg, 4 to 10mm, #CH82-10
- ✓ HSS, 82deg, 5 to 16mm, #CH82-16
- ✓ HSS, 82deg, 8 to 20mm, #CH82-20

T0116	27.72	25.20
T0118	40.92	37.20
T0119	58.08	52.80

T0116 - T0119



### Tapered Plug Cutters, Brad Point Wood Drills & Universal Borers

Plug cutters cut plugs in either face or end grain, usually in matching wood, although they can be used for contrasting effect, which are often used to conceal screw heads. The use of a drill press and good work-piece clamping practice are essential when using plug cutters. Snug plug cutters are superior because they make a slightly tapered plug which fully closes the hole they are hammered into.

Matching brad point or spur lip drills offer smooth cut holes and, with careful wood selection, invisible plugging.

Universal borers offer a range of larger sized, smoothly cut holes for numerous project requirements. A drill press is essential.

- ✓ Cutter, Plug, Tapered, 6mm, #701860
- ✓ Cutter, Plug, Tapered, 8mm, #701861
- ✓ Cutter, Plug, Tapered, 10mm, #701862
- ✓ Cutter, Plug, Tapered, 12mm, #701863
- ✓ Cutter, Plug, Tapered, 16mm, #701864

T0170	14.06	12.78
T0171	15.71	14.29
T0172	16.33	14.85
T0173	18.20	16.54
T0174	19.85	18.05

T0170~T0174



Brad point drills are optimised for cutting smooth edge holes in wood. Universal borers are a superior alternative to forstner bits and excel at large diameter, smoothly cut, shallow holes.

### DRILLS - NATIVE BRAD POINT - step shank

- ✓ Drill, Brad Point, Set of 4, 4,6,8,10mm, Stubai, #300640
- ✓ Drill, Brad Point, Set of 5, 4,5,6,8,10mm, Stubai, #300650

T3528	15.15	13.78
T3529	17.65	16.05

- ✓ Drill, Brad Point, Stubai, 3mm, #300600
- ✓ Drill, Brad Point, Stubai, 4mm, #300601
- ✓ Drill, Brad Point, Stubai, 5mm, #300602
- ✓ Drill, Brad Point, Stubai, 6mm, #300603
- ✓ Drill, Brad Point, Stubai, 7mm, #300604
- ✓ Drill, Brad Point, Stubai, 8mm, #300605
- ✓ Drill, Brad Point, Stubai, 9mm, #300606
- ✓ Drill, Brad Point, Stubai, 10mm, #300607

T3530	3.12	2.83
T3531	3.27	2.97
T3532	3.46	3.15
T3533	3.65	3.32
T3534	3.77	3.43
T3535	4.46	4.06
T3536	4.38	3.99
T3537	5.85	5.31

- ✓ Drill, Brad Point, Stubai, Stepped Shank, 11mm

T3538	13.50	12.27
-------	-------	-------

T3528~T3549



✓ Drill, Brad Point, Stubai, Stepped Shank, 12mm	<b>T3539</b>	<b>14.96</b>	<b>13.60</b>
✓ Drill, Brad Point, Stubai, Stepped Shank, 13mm	<b>T3540</b>	<b>19.12</b>	<b>17.38</b>
✓ Drill, Brad Point, Stubai, Stepped Shank, 14mm	<b>T3541</b>	<b>20.54</b>	<b>18.67</b>
✓ Drill, Brad Point, Stubai, Stepped Shank, 15mm	<b>T3542</b>	<b>22.12</b>	<b>20.10</b>
✓ Drill, Brad Point, Stubai, Stepped Shank, 16mm	<b>T3543</b>	<b>23.35</b>	<b>21.22</b>
✓ Drill, Brad Point, Stubai, Stepped Shank, 18mm	<b>T3544</b>	<b>28.69</b>	<b>26.08</b>
✓ Drill, Brad Point, Stubai, Stepped Shank, 20mm	<b>T3545</b>	<b>32.38</b>	<b>29.44</b>
<hr/>			
✓ Borer, Universal, 12mm, #308504	<b>T0323</b>	<b>19.56</b>	<b>17.78</b>
✓ Borer, Universal, 13mm, #308505	<b>T0324</b>	<b>20.68</b>	<b>18.80</b>
✓ Borer, Universal, 14mm, #308506	<b>T0325</b>	<b>21.81</b>	<b>19.82</b>
✓ Borer, Universal, 15mm, #308507	<b>T0326</b>	<b>21.94</b>	<b>19.94</b>
✓ Borer, Universal, 16mm, #308508	<b>T0327</b>	<b>22.80</b>	<b>20.73</b>
✓ Borer, Universal, 18mm, #308509	<b>T0328</b>	<b>23.45</b>	<b>21.32</b>
✓ Borer, Universal, 20mm, #308510	<b>T0329</b>	<b>24.66</b>	<b>22.42</b>
✓ Borer, Universal, 22mm, #308511	<b>T0330</b>	<b>25.61</b>	<b>23.29</b>
✓ Borer, Universal, 24mm, #308512	<b>T0331</b>	<b>27.73</b>	<b>25.21</b>
✓ Borer, Universal, 25mm, #308513	<b>T0332</b>	<b>27.86</b>	<b>25.33</b>
✓ Borer, Universal, 26mm, #308514	<b>T0334</b>	<b>29.12</b>	<b>26.47</b>
✓ Borer, Universal, 28mm, #308515	<b>T0335</b>	<b>30.98</b>	<b>28.16</b>
✓ Borer, Universal, 30mm, #308516	<b>T0336</b>	<b>32.36</b>	<b>29.42</b>
✓ Borer, Universal, 32mm, #308517	<b>T0337</b>	<b>36.04</b>	<b>32.76</b>
✓ Borer, Universal, 34mm, #308518	<b>T0338</b>	<b>39.42</b>	<b>35.83</b>
✓ Borer, Universal, 35mm, #308519	<b>T0339</b>	<b>40.28</b>	<b>36.62</b>
✓ Borer, Universal, 36mm, #308520	<b>T0340</b>	<b>41.58</b>	<b>37.80</b>
✓ Borer, Universal, 38mm, #308521	<b>T0341</b>	<b>44.26</b>	<b>40.24</b>
✓ Borer, Universal, 40mm, #308522	<b>T0342</b>	<b>46.47</b>	<b>42.24</b>



**T0323~T0344**

**C9000**



**C9015**



### Repackaging, Measuring & Decanting Supplies

Our beakers, jugs and funnels are high quality Italian made lab ware  
Why should the science guys have all the fun?. Pipettes and cylinders  
for accurate measuring. Safe and secure materials handling.

#### Polyethelene Bottles

✓ 250ml, with Resealable Witches Cap, 5 pcs	<b>C9000</b>	<b>18.18</b>	<b>16.53</b>
✓ 500ml, with Resealable Witches Cap, 4 pcs	<b>C9001</b>	<b>14.61</b>	<b>13.29</b>
✓ 1 litre, with Resealable Witches Cap, 3 pcs	<b>C9002</b>	<b>17.65</b>	<b>16.04</b>



**C9048**

✓ 250ml, with Cap, 5 pcs	<b>C9010</b>	<b>14.07</b>	<b>12.79</b>
✓ 500ml, with Cap, 4 pcs	<b>C9011</b>	<b>11.88</b>	<b>10.80</b>
✓ 1 litre, with Cap, 3 pcs	<b>C9012</b>	<b>14.91</b>	<b>13.55</b>

**C9095**



#### PLastic Pots

✓ Jar, Cosmetic, 250ml with lid, 5 pcs	<b>C9015</b>	<b>14.15</b>	<b>12.86</b>
--	--------------	--------------	--------------

#### Polyethelene Plastic Jerry Cans - Dangerous Goods Rated

✓ Bottle, Polyethelene, 1 litre, with DG Cap, 3 pcs	<b>C9048</b>	<b>15.36</b>	<b>13.96</b>
---	--------------	--------------	--------------

#### Funnels

✓ General Purpose, High Density Polyethelne, 100mm	<b>C9095</b>	<b>3.22</b>	<b>2.92</b>
✓ General Purpose, High Density Polyethelene, 120mm	<b>C9096</b>	<b>4.02</b>	<b>3.65</b>
✓ General Purpose, High Density Polyethelene, 140mm	<b>C9097</b>	<b>6.37</b>	<b>5.79</b>
✓ General Purpose, High Density Polyethelene, 180mm	<b>C9098</b>	<b>11.73</b>	<b>10.66</b>
✓ General Purpose, High Density Polyethelene, 220mm	<b>C9099</b>	<b>16.08</b>	<b>14.62</b>
✓ General Purpose, High Density Polyethelene, 280mm	<b>C9100</b>	<b>20.77</b>	<b>18.88</b>
<hr/>			
✓ Powder/Liquid, Large Mouth, Polypropolene, 100mm	<b>C9103</b>	<b>8.04</b>	<b>7.31</b>
✓ Powder/Liquid, Large Mouth, Polypropolene, 120mm	<b>C9104</b>	<b>8.71</b>	<b>7.92</b>
✓ Powder/Liquid, Large Mouth, Polypropolene, 150mm	<b>C9105</b>	<b>11.39</b>	<b>10.35</b>



**C9103**

#### Graduated Wide Neck Storage Bottles - Round

✓ Bottle, Graduated, Wide Neck, Round 50ml, #409	<b>C9121</b>	<b>3.36</b>	<b>3.05</b>
✓ Bottle, Graduated, Wide Neck, Round 100ml, #409	<b>C9122</b>	<b>3.78</b>	<b>3.44</b>
✓ Bottle, Graduated, Wide Neck, Round 250ml, #410	<b>C9123</b>	<b>4.50</b>	<b>4.09</b>
✓ Bottle, Graduated, Wide Neck, Round 500ml, #411	<b>C9124</b>	<b>4.95</b>	<b>4.50</b>
✓ Bottle, Graduated, Wide Neck, Round,1000ml, #412	<b>C9125</b>	<b>6.60</b>	<b>6.00</b>
✓ Bottle, Graduated, Wide Neck, Round, 2000ml, #413	<b>C9126</b>	<b>13.20</b>	<b>12.00</b>





### Graduated Wide Neck Storage Bottles - Square

- ✓ Bottle, Graduated, Wide Neck, Square, 100ml, #610
- ✓ Bottle, Graduated, Wide Neck, Square, 250ml, #611
- ✓ Bottle, Graduated, Wide Neck, Square, 500ml, #612
- ✓ Bottle, Graduated, Wide Neck, Square, 1000ml, #613
- ✓ Bottle, Graduated, Wide Neck, Square, 2000ml, #614

<b>C9132</b>	<b>4.14</b>	<b>3.76</b>
<b>C9133</b>	<b>4.65</b>	<b>4.23</b>
<b>C9134</b>	<b>5.70</b>	<b>5.18</b>
<b>C9135</b>	<b>6.90</b>	<b>6.27</b>
<b>C9136</b>	<b>12.60</b>	<b>11.45</b>

### Wash Bottles

- ✓ Wide Mouth, Polyethylene, 250 ml, 04 Blue, #1637
- ✓ Wide Mouth, Polyethylene, 250 ml, 06 Yellow, #1637
- ✓ Wide Mouth, Polyethylene, 250 ml, 10 Red, #1637

<b>C9152</b>	<b>6.95</b>	<b>6.32</b>
<b>C9153</b>	<b>6.95</b>	<b>6.32</b>
<b>C9154</b>	<b>6.95</b>	<b>6.32</b>

**C9152**



### Beakers - Graduated

- ✓ Polypropylene, 50 ml, #1802
- ✓ Polypropylene, 100 ml, #1803
- ✓ Polypropylene, 250 ml, #1805
- ✓ Polypropylene, 500 ml, #1806
- ✓ Polypropylene, 1000 ml, #1808
  
- ✓ Polypropylene, Blue Graduations, 25 ml, #1821
- ✓ Polypropylene, Blue Graduations, 100 ml, #1823
- ✓ Polypropylene, Blue Graduations, 500 ml, #1825
- ✓ Polypropylene, Blue Graduations, 1000 ml, #1826
- ✓ Polypropylene, Blue Graduations, 3000 ml, #818

<b>C9161</b>	<b>4.46</b>	<b>4.05</b>
<b>C9162</b>	<b>5.28</b>	<b>4.80</b>
<b>C9163</b>	<b>5.85</b>	<b>5.32</b>
<b>C9164</b>	<b>9.00</b>	<b>8.18</b>
<b>C9165</b>	<b>15.75</b>	<b>14.32</b>
<b>C9167</b>	<b>4.29</b>	<b>3.90</b>
<b>C9168</b>	<b>5.45</b>	<b>4.95</b>
<b>C9169</b>	<b>9.75</b>	<b>8.86</b>
<b>C9170</b>	<b>18.00</b>	<b>16.36</b>
<b>C9171</b>	<b>43.50</b>	<b>39.55</b>

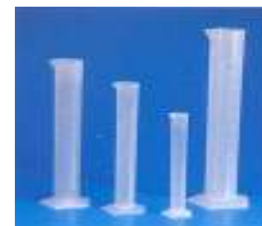
**C9167**



### Jugs

- ✓ Measuring, Polypropylene, Tall Profile, 250 ml
- ✓ Measuring, Polypropylene, Tall Profile, 500 ml
- ✓ Measuring, Polypropylene, Tall Profile, 1000 ml
- ✓ Measuring, Polypropylene, Tall Profile, 2000 ml
- ✓ Measuring, Polypropylene, Tall Profile, 3000 ml
  
- ✓ Pipette, Dropping, Bellows Type, 1.5ml, 10 pieces
- ✓ Pipette, Dropping, Bellows Type, 5.0ml, 10 pieces
  
- ✓ Rod, Stirring, Polypropylene, 244mm, 10 pcs

<b>C9180</b>	<b>15.66</b>	<b>14.24</b>
<b>C9181</b>	<b>17.50</b>	<b>15.91</b>
<b>C9182</b>	<b>20.10</b>	<b>18.27</b>
<b>C9183</b>	<b>46.90</b>	<b>42.64</b>
<b>C9184</b>	<b>49.58</b>	<b>45.07</b>
<b>C9214</b>	<b>7.95</b>	<b>7.23</b>
<b>C9215</b>	<b>8.15</b>	<b>7.41</b>
<b>C9220</b>	<b>19.80</b>	<b>18.00</b>



### Measuring Cylinders

- ✓ Capacity 10ml, Grads. at 2ml, 13.5mm x 140mm
- ✓ Capacity 25ml, Grads. at 5ml, 18.0mm x 195mm
- ✓ Capacity 50ml, Grads. at 10ml, 25.5mm x 199mm
- ✓ Capacity 100ml, Grads. at 10ml, 30.5mm x 249mm
- ✓ Capacity 500ml, Grads. at 50ml, 55.0mm x 361mm
- ✓ Capacity 1000ml, Grads. at 100ml, 66.0mm x 439mm

<b>C9225</b>	<b>7.80</b>	<b>7.09</b>
<b>C9226</b>	<b>9.00</b>	<b>8.18</b>
<b>C9227</b>	<b>9.00</b>	<b>8.18</b>
<b>C9228</b>	<b>10.20</b>	<b>9.27</b>
<b>C9229</b>	<b>21.60</b>	<b>19.64</b>
<b>C9230</b>	<b>40.80</b>	<b>37.09</b>



### Drum Tap

- ✓ Tap, for threaded Drums, 3/4 inch BSP, #375  
Tap handle adjusts to vertical when tap fully screwed in.

<b>C9250</b>	<b>19.00</b>	<b>17.27</b>
--------------	--------------	--------------

